

Keep with Operator's Manual

PIN ON BALE SPEAR

Bale spear can be installed on tractor using tools ordinarily available. Shut off engine and engage brakes during installation.

ASSEMBLING BALE SPEAR

1. Remove banding which secures bale spike (2) to bale spear frame (1). Temporarily remove 1/2 x 3-1/4" cap screw (3) and lock nut (4).
2. Place bale spike (2) into sleeve of bale spear bracket (1). Fasten spike to bracket using 1/2 x 3-1/4" cap screw (3) and lock nut (4).

ATTACHING BALE SPEAR TO LOADER



WARNING: Keep bales, bale spear, and loader boom clear of overhead lines. Allowing loader boom or any attachment or contents to contact overhead lines may electrify entire tractor and kill (electrocute) operator.



WARNING: Always wear safety glasses when removing or installing bale spear.



WARNING: Always use a drift and hammer of non-sparking material (a shot-filled mallet is recommended) to install or remove pins. A steel hammer or drift could generate flying metal fragments and result in injury. Always wear safety glasses when using a hammer to remove or install pins.

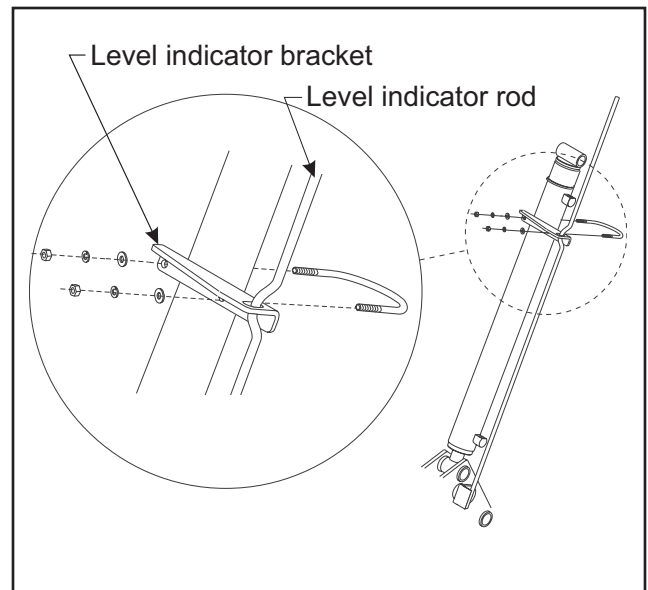
1. Attach bale spear to lift boom frame and tilt cylinders using four attaching pins, 3/8" cap screws, and 3/8" lock nuts (supplied with loader).

NOTE: It may be necessary to rotate loader parking stand down to install bale spear attaching pins to loader boom.

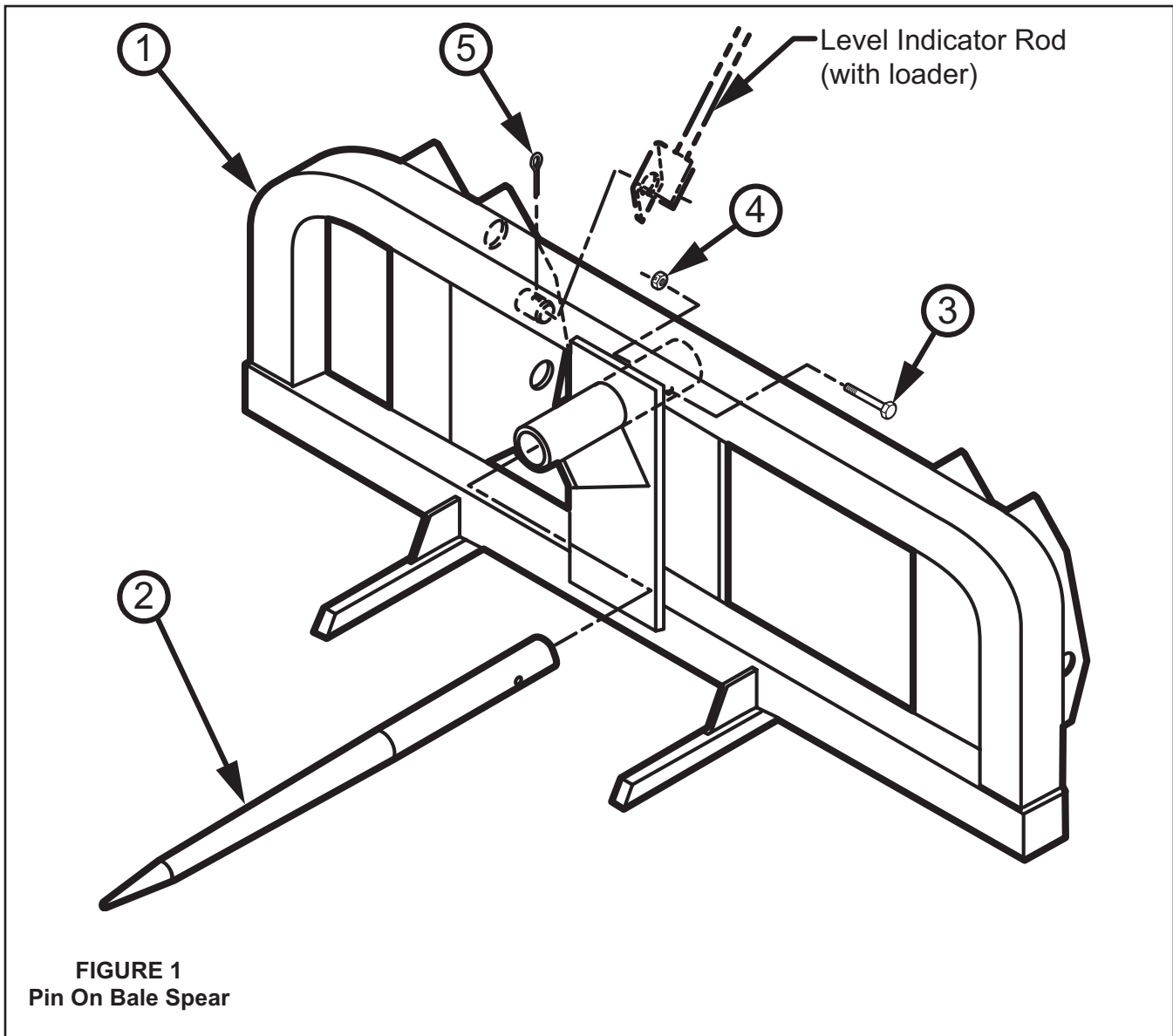
2. Slide level indicator rod (supplied with loader) through slot in level indicator bracket (attached to tilt cylinder near base port). Secure angle end of level indicator rod onto pin on inner right ear of bale spear using 3/16 x 2 cotter pin (5).

ADJUST LEVEL INDICATOR

IMPORTANT: Level setting varies for each loader attachment. It is important to make sure level indicator is adjusted to indicate level whenever a different attachment is mounted, or else indicator will not indicate true level.



To adjust level indicator properly, locate tractor and loader attachment on a firm level surface, with attachment resting on level surface in level operation position. Loosen u-bolt that fastens level indicator bracket to right tilt cylinder and position it so it is centered on the offset in the level indicator rod, then retighten u-bolt hardware.



PARTS LIST – BALE SPEAR

Item	Part No.	Description	Qty.
1	*	FRAME, Bale Spear (*Frame not sold as separate repair item)	1
2	40906	SPIKE, Round Bale Spear	1
3	41838-1	SCREW, Cap, 1/2-13 x 3-1/4	1
4	41840-5	NUT, Lock, 1/2-13, Type N	1
5	41903-9	PIN, Cotter, 3/16 x 2	1

INSTALLATION INSTRUCTIONS