

QUICK ATTACH DEVICE 2412 & 6212 LOADER

QUICK ATTACH GENERAL INFORMATION

Quick attach device can be installed on front end loader using tools ordinarily available, including standard wrenches and a torque wrench.

Only quick-attach attachments can be used with quick attach device. Pin-on style attachments can be used on loader, but necessitate removal of quick attach device and relocation of level indicator and cannot utilize quick-attach feature.

References to left and right used in these instructions refer to position when seated in operating position on tractor. Loader must be mounted on tractor and supported during installation of quick attach device. Shut off engine and engage brakes during installation.

INSTALLING QUICK ATTACH DEVICE (Figure 1)

NOTE: Leave all attaching hardware loose (unless noted otherwise) until quick attach device is completely assembled to facilitate assembly and proper alignment. Tighten all hardware to torques specified in general torque specifications table.



WARNING: Always use a drift and hammer made of non-sparking material (a shot-filled mallet is recommended) to install or remove pins. A steel hammer or drift could generate flying metal fragments and result in injury. Always wear safety glasses when using a hammer to remove or install pins.

1. Unband quick-attach bracket from shipping materials.
2. Fasten quick-attach bracket and level indicator rod to loader using pins, cap screws, and lock nuts provided with loader.

Figure 1
Attaching Quick
Attach Device To
Loader

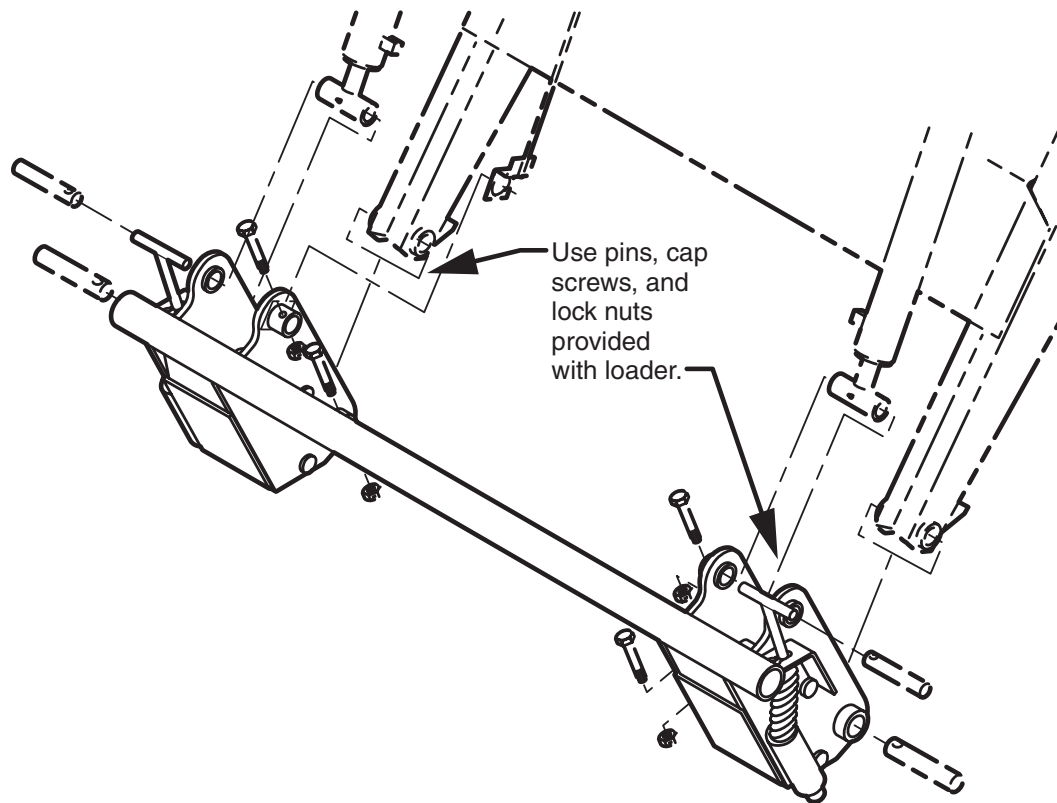
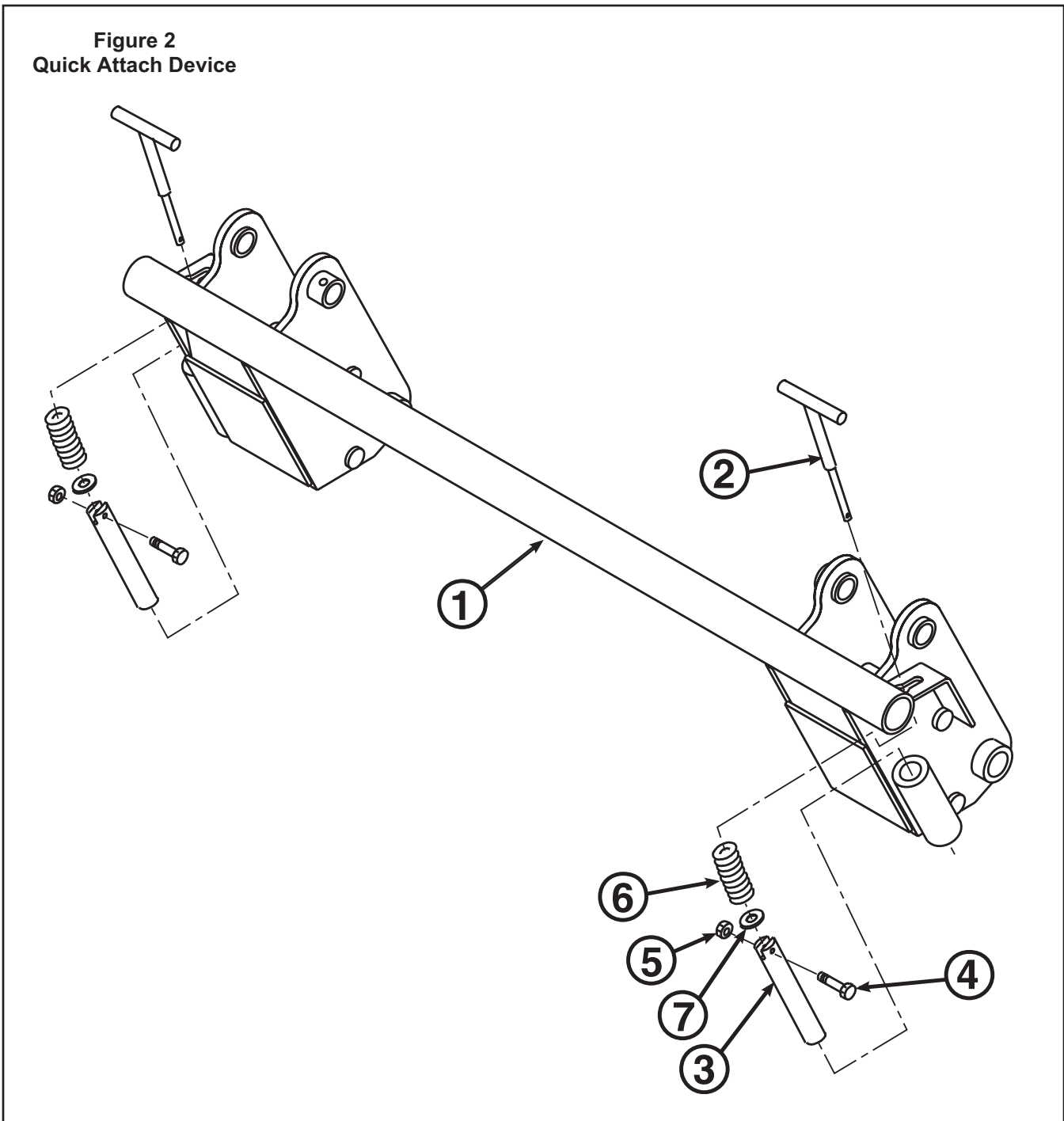


Figure 2
Quick Attach Device



PARTS LIST – QUICK ATTACH DEVICE (Figure 2)

Item	Part No.	Description	Qty.
1	—	BRACKET, Quick Attach (Not available as separate repair item. Order P/N 2-7203.)	1
2	37020	HANDLE, Quick Attach	2
3	37017	PIN, Latch, 1-1/4 x 9-1/4"	2
4	41838-48	SCREW, Cap, 1/4-20 x 1-1/2", Grade 5	2
5	41840-11	NUT, Lock, 1/4-20	2
6	6043-12	SPRING	2
7	42502-32	WASHER, Flat, 5/8"	2

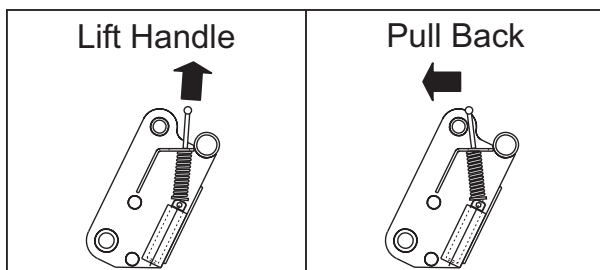
MOUNTING QUICK-ATTACH BUCKET OR ATTACHMENT ONTO LOADER

No tools are required to mount a quick attach bucket or attachment onto loader.

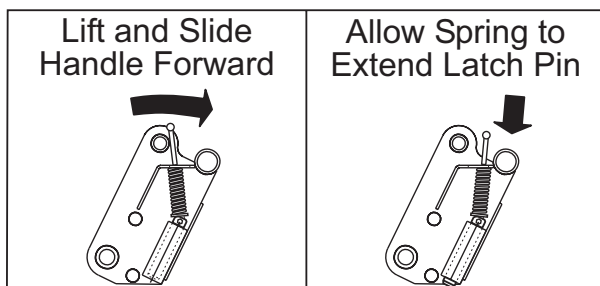


WARNING: To avoid injury during installation of loader attachment, do not allow bystanders within 10 feet of loader or attachment.

1. Locate tractor and bucket or attachment on firm level ground. Lower boom to rest on ground. Extend bucket cylinders slightly, while raising boom to provide three to five inches of ground clearance.
2. Disengage latch pins by lifting handles and pulling them rearward, so latch pins are held in raised position.



3. Making sure quick-attach bracket cross tube is parallel to bucket or attachment, drive tractor ahead very slowly toward attachment until cross-tube touches just below attachment channel.
4. Use lift cylinder to raise loader while activating tilt cylinder to curl quick-attach and engage cross-tube in attachment channel. Moving tractor forward will help engage cross-tube in channel.
5. When quick-attach bar is fully engaged in attachment channel, place tractor in neutral, set parking brake, shut off tractor. Move latch pin handles forward to allow latch pin springs to spring latch pins into latch (down) position.



6. Tilt attachment at a slight downward angle, so quick attach devise is visible and inspect quick attach mechanism to verify that pins are fully engaged in attachment ears.

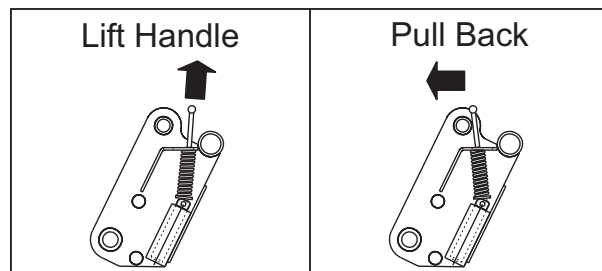
NOTE: If attachment is not securely attached, follow instructions for detaching it and repeat above procedure.

DISMOUNTING QUICK-ATTACH BUCKET OR ATTACHMENT FROM LOADER



WARNING: To avoid injury during installation or removal of loader bucket or attachment, do not allow bystanders within 10 feet of loader or attachment.

1. Locate tractor on firm level ground.
2. Lower loader arms until bucket or attachment is level and approximately two or three inches off ground. Shut off tractor engine and set tractor parking brake.
3. Disengage latch pins by lifting handles and pulling them rearward, so latch pins are held in raised position.



4. Start tractor engine, release brake and extend tilt cylinders while slowly backing tractor away from bucket or attachment, until quick-attach disengages from attachment.

GENERAL TORQUE SPECIFICATIONS

USE THE FOLLOWING TORQUES WHEN SPECIAL TORQUES ARE NOT GIVEN

Standard American and Metric Cap Screws

AMERICAN STANDARD CAP SCREWS									METRIC CAP SCREWS								
SAE Grade	5				8				Metric Class	8.8				10.9			
Typ. Head Markings									Typ. Head Markings								
Cap Screw	TORQUE				TORQUE				Cap Screw	TORQUE				TORQUE			
Size	FT·LBS		N·m		FT·LBS		N·m		Size	FT·LBS		N·m		FT·LBS		N·m	
Inches	MIN	MAX	MIN	MAX	MIN	MAX	MIN	MAX	Millimeters	MIN	MAX	MIN	MAX	MIN	MAX	MIN	MAX
1/4 - 20	6.25	7.25	8.5	10	8.25	9.5	11	13	M6 x 1.00	6	8	8	11	9	11	12	15
1/4 - 28	8	9	11	12	10.5	12	14	16	M8 x 1.25	16	20	21.5	27	23	27	31	36.5
5/16 - 18	14	15	19	20	18.5	20	25	27	M10 x 1.50	29	35	39	47	42	52	57	70
5/16 - 24	17.5	19	23	26	23	25	31	34	M12 x 1.75	52	62	70	84	75	91	102	123
3/8 - 16	26	28	35	38	35	37	47.5	50	M14 x 2.00	85	103	115	139	120	146	163	198
3/8 - 24	31	34	42	46	41	45	55.5	61	M16 x 2.50	130	158	176	214	176	216	238	293
7/16 - 14	41	45	55.5	61	55	60	74.5	81	M18 x 2.50	172	210	233	284	240	294	325	398
7/16 - 20	51	55	69	74.5	68	75	92	102	M20 x 2.50	247	301	335	408	343	426	465	577
1/2 - 13	65	72	88	97.5	86	96	116	130	M22 x 2.50	332	404	450	547	472	576	639	780
1/2 - 20	76	84	103	114	102	112	138	152	M24 x 3.00	423	517	573	700	599	732	812	992
9/16 - 12	95	105	129	142	127	140	172	190	M27 x 3.00	637	779	863	1055	898	1098	1217	1488
9/16 - 18	111	123	150	167	148	164	200	222	M30 x 3.00	872	1066	1181	1444	1224	1496	1658	2027
5/8 - 11	126	139	171	188	168	185	228	251	<p>NOTE: These values apply to fasteners as received from supplier, dry or when lubricated with normal engine oil. They do not apply if special graphite or moly sulphide greases or other extreme lubricants are used.</p>								
5/8 - 18	152	168	206	228	203	224	275	304									
3/4 - 10	238	262	322	355	318	350	431	474									
3/4 - 16	274	305	371	409	365	402	495	544									
7/8 - 9	350	386	474	523	466	515	631	698									
7/8 - 14	407	448	551	607	543	597	736	809									
1 - 8	537	592	728	802	716	790	970	1070									
1 - 14	670	740	908	1003	894	987	1211	1337									

INSTALLATION INSTRUCTIONS