

Keep with Operator's Manual

GRILLE GUARD KUBOTA MX5000 TRACTORS

MODEL

MX5000

TRACTOR AND GRILLE GUARD GENERAL INFORMATION

Grille guard can be installed on tractor using tools ordinarily available, including standard and metric wrenches and a torque wrench.

Grille guard is designed to be compatible with an Alamo SMC or Rhino 2409 or 2491 front loader or may be installed on tractor without a loader. If loader is to be installed, install grille guard while installing loader front mounting bracket.

Grille guard is not compatible with tractor front weights or weight bracket. If weights and weight bracket are present, they must be removed before installing grille guard.

Reference to left and right used in these instructions refer to position when seated in operating position on tractor. Shut off engine and engage brakes during installation.

INSTALLING GRILLE GUARD (Figure 1)

NOTE: Leave all attaching hardware loose until grille guard is completely assembled to facilitate assembly and proper alignment. When grille guard is completely assembled, tighten all hardware to torques specified.

1. Placing spacer plate (2) between grille guard (1) and front of tractor frame, fasten grille guard (1) and spacer plate (2) to front of tractor frame using 14mm x 50mm cap screws (3) and 9/16" lock washers (5).

NOTE: If tractor is to be equipped with front loader, do not use spacer (2) (because space is taken up by attachment plate of loader front mounting bracket). Refer to instructions provided with loader mounting kit to fasten loader front mounting bracket to front of tractor frame, except do not install 14mm x 40mm cap screws in top pair of holes. Place grille guard (1) over loader front mounting bracket and align with top holes. Fasten grille guard and front mounting bracket to front of tractor frame using 14mm x 50mm cap screws (3) and 9/16" lock washers (5), instead of 14mm x 40mm cap screws provided with loader mounting kit, in top two holes.

2. Fasten grille guard (1) to sides of tractor frame using 1/2 x 2" cap screws (4), flat washers (6), and lock washers (5).
3. Torque 14mm-1.50 Class 8.8 hardware to 80-97ft.·lbs. (118-132Nm) and torque 1/2-13 Grade 5 hardware to 65-72ft.·lbs. (88-97.5Nm).

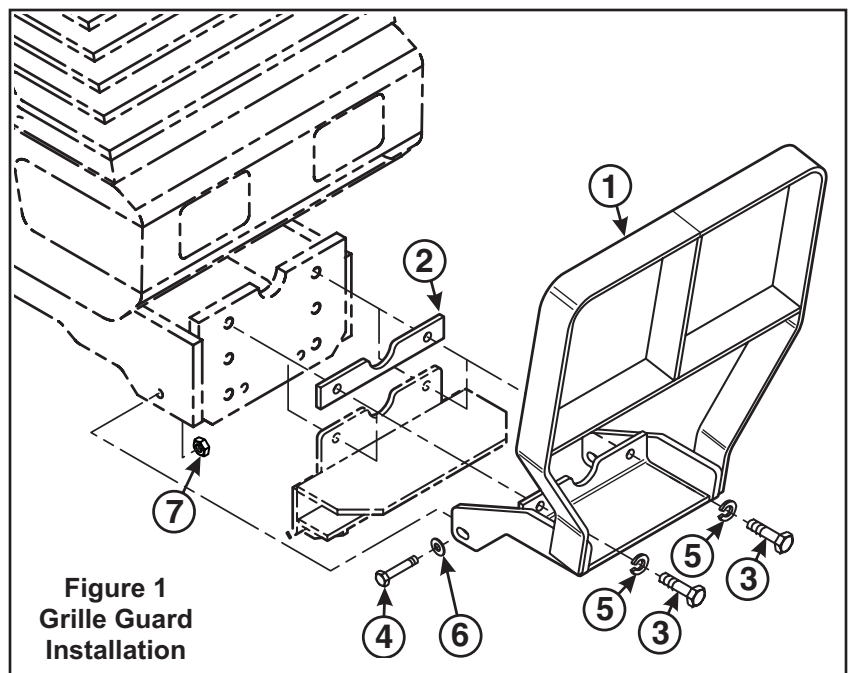
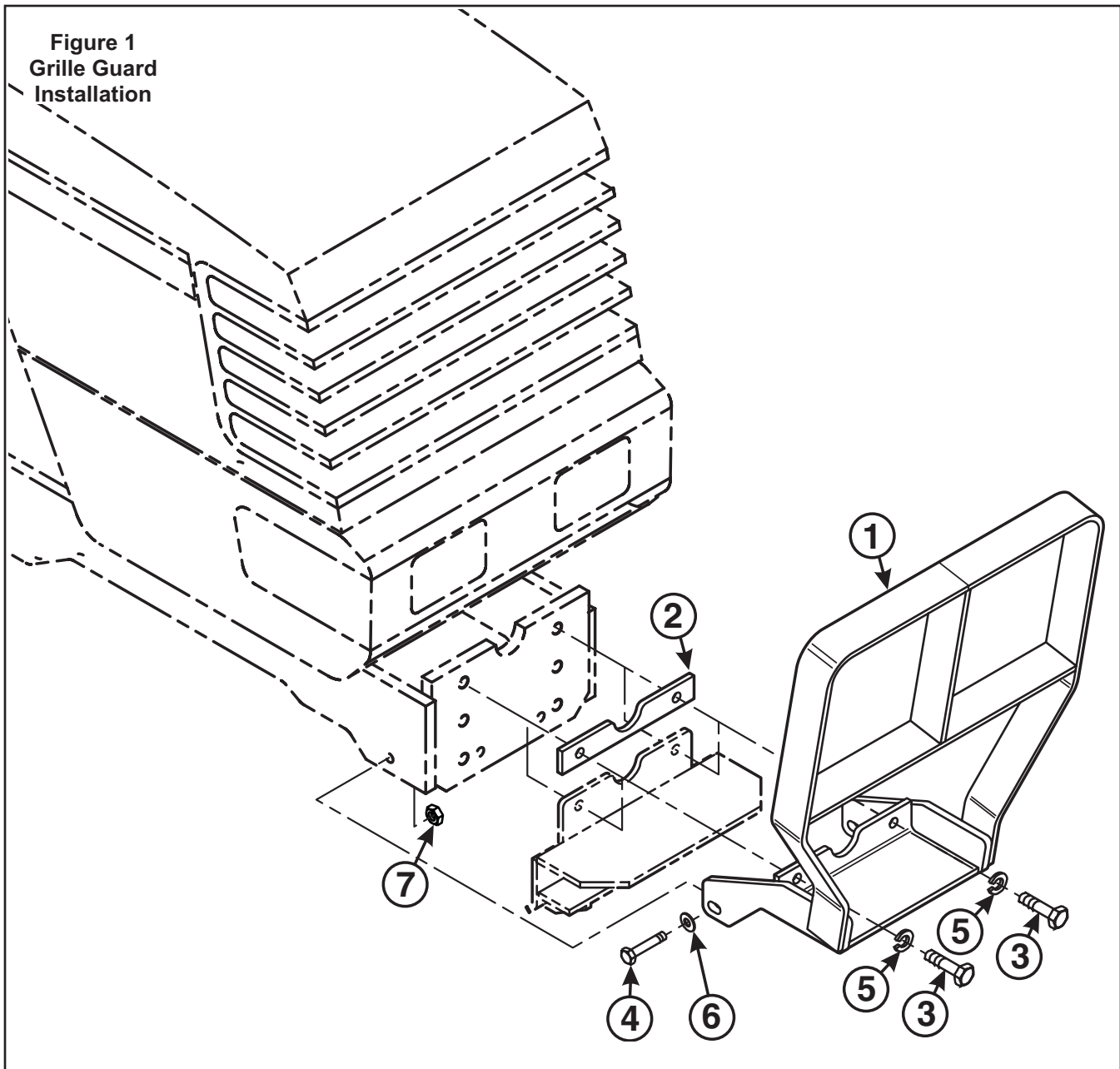


Figure 1
Grille Guard
Installation



PARTS LIST – GRILLE GUARD

Item	Part No.	Description	Qty.
1	50930	GRILLE GUARD	1
2	50928	SPACER, Front Mounting, Grille Guard	1
3	41837-6	SCREW, Cap, 14mm-1.50 x 50mm, Class 8.8	2
4	41838-13	SCREW, Cap, 1/2-13 x 2", Grade 5	2
5	41837-6	WASHER, Lock, 9/16"	2
6	42502-10	WASHER, Flat, 1/2"	2
7	41840-5	NUT, Lock, 1/2-13	2

INSTALLATION INSTRUCTIONS