

BACKHOE SUBFRAME KIT 95 BACKHOE KIOTI TRACTORS

KIOTI

DK65, DK65C, DK65S, DK65SC

Reference right, left, front and back refers to operator seated in tractor seat in normal operating position.

Subframe can be installed on tractor and backhoe using tools ordinarily available. Tractor must be equipped with loader to install subframe.

Complete backhoe installation requires hose kit or pump kit. Install hydraulic kit before mounting backhoe.

IMPORTANT: Remove linch pins and disconnect supports to disable 3-point hitch arms.

NOTE: Leave all attaching hardware loose until mounting kit is completely assembled to facilitate assembly and proper alignment unless otherwise instructed. Tighten all hardware to torque specifications in operator's manual.

TRACTOR PREPARATION

1. Remove drawbar from tractor hitch bracket.
2. Remove tractor hitch bracket from tractor.

INSTALLING MOUNTING BRACKETS (Figure 2)

1. Replace hitch bracket removed in Tractor Preparation step 2 above with rear backhoe mounting bracket (1) using hardware removed from original hitch bracket. Install tractor drawbar onto rear backhoe mounting bracket (1).
2. Support fuel tank and remove hardware securing front tank support from underside of tractor. Install front mounting bracket (2) onto bottomside of tractor using 2" spacers (3) at front of bracket and 2-1/4" spacers (4) at rear of bracket. Fasten using 14mm x 100mm (11) 9/16 flat washers (12) and 9/16 lock washers (13).

If installing with Kioti loader, front mounting (2) is fastened directly over Kioti loader belly crosstie using hardware above and spacers are not used.

REMOVING BACKHOE FROM PALLET

1. Install pump kit or hose kit. Refer to instructions packed with kit for proper installation procedure. Back tractor, parallel to subframe assembly, close to backhoe.



CAUTION: Do not remove hardware which secures backhoe to pallet until bucket is installed. Backhoe may tip over causing damage or serious personal injury.

2. Remove stabilizers from shipping position. Install stabilizers to backhoe using pins provided. Connect stabilizer cylinders to stabilizers using pins provided.
3. Connect pump or hoses to tractor. Set bucket in place below dipperstick. Remove boom lock pin and carefully extend boom cylinder (lower boom) until bucket can be connected to dipperstick.
4. Install bucket to dipperstick using pins, 3/8 x 2-1/2 cap screws and 3/8 lock nuts provided. Carefully extend bucket cylinder and connect bucket to four bar link.
5. Install seat assembly to platform using 3/8 x 1-1/4 cap screws and 3/8 lock nuts provided.



CAUTION: Do not fully extend boom or dipperstick until backhoe is mounted to tractor. Extending boom or dipperstick may cause backhoe to tip over resulting in damage to backhoe or serious personal injury.

NOTE: Remove protective coating from cylinder rods before operating backhoe controls.

6. Using backhoe hydraulics, carefully lower stabilizers and bucket to lift pallet off ground. Remove hardware and slide pallet out of the way. Lower backhoe to ground.

INSTALLING SUBFRAME TO BACKHOE (Figure 2)

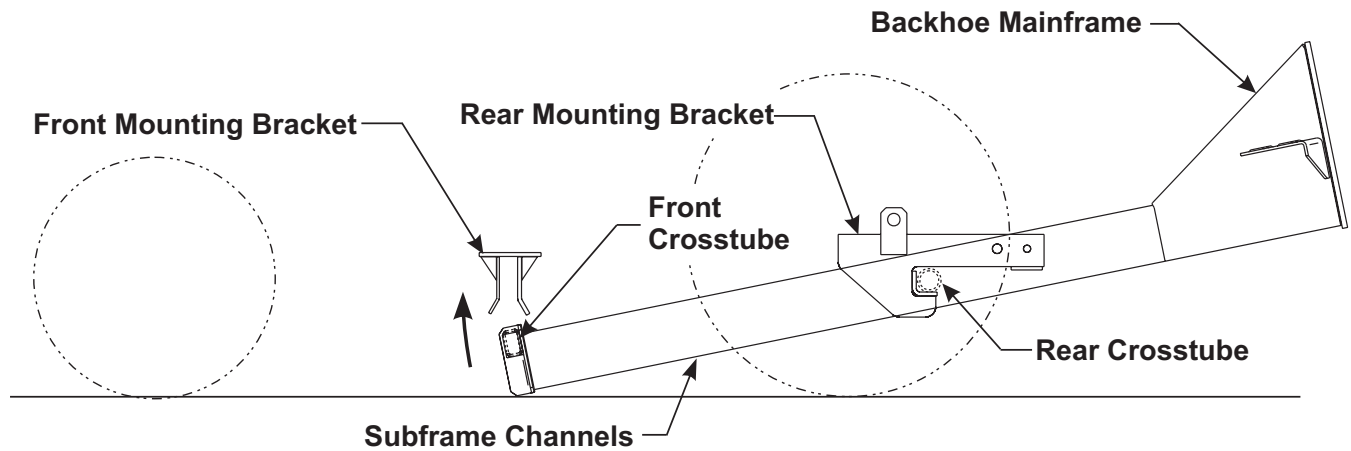
1. Install subframe (5) to backhoe using 3/4 x 2 cap screws (12) and 3/4 lock nuts (13) (torque to 350 ft.-lbs).

NOTE: If installing pump kit and subframe; spacers (6) are required between subframe and backhoe.

MOUNTING BACKHOE TO TRACTOR

1. Back tractor over subframe close enough to connect backhoe hydraulic system.
2. Using backhoe hydraulic controls, extend stabilizer cylinders and boom cylinder until rear crosstube (6) is level with rear mounting bracket (1) and front of subframe is on ground.
3. Slowly back tractor until rear crosstube (6) is seated in rear mounting bracket (1).
4. Retract boom cylinder and stabilizer cylinders so front of subframe swings up until front crosstube (5) is seated in front mounting bracket (2). (See figure 1).
5. Secure front crosstube in place using pins (7) and linch pins (8).

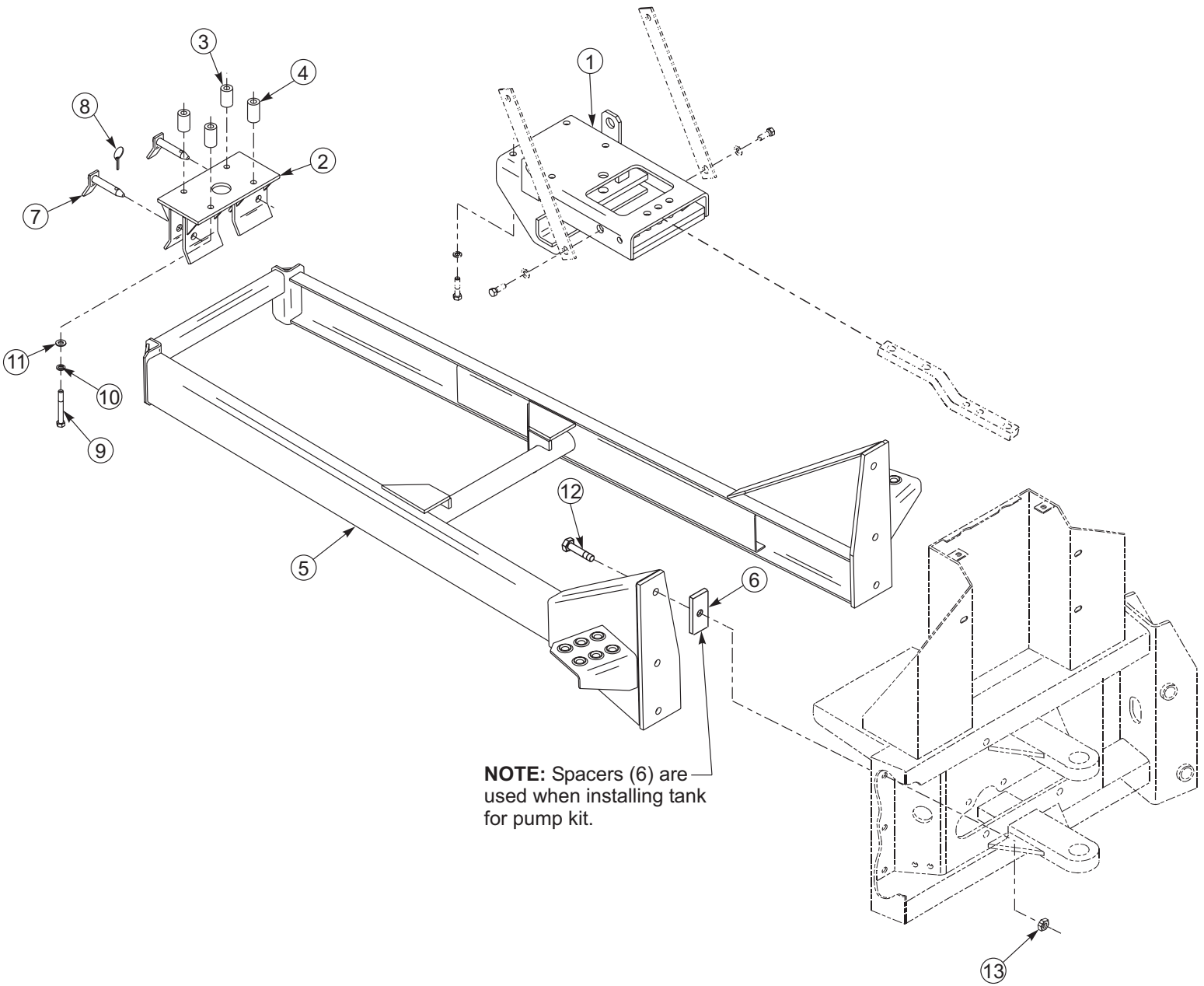
Figure 1
Mounting Subframe
To Tractor



PARTS LIST - SUBFRAME MOUNTING KIT

ITEM	PART NO.	DESCRIPTION	QTY.
1	51105	MOUNTING BRACKET ASSEMBLY, Rear	1
2	51100	MOUNTING BRACKET ASSEMBLY, Front	1
3	43395-4	SPACER TUBE, 2"	2
4	43395-5	SPACER TUBE, 2 1/4"	2
5	51110	SUBFRAME ASSEMBLY	1
6	31897	SPACER FLAT	2
7	44892	PIN ASSEMBLY	2
8	44756-1	PIN, Linch	2
9	42672-55	SCREW, Cap, 14mm-1.5 x 100	4
10	41837-6	WASHER, Lock, 9/16	4
11	42502-11	WASHER, Flat, 9/16	4
12	41838-8	SCREW, Cap, 3/4-10 x 2	6
13	41840-8	NUT, Lock, 3/4-10	6

Figure 2
Subframe Mounting Kit



INSTALLATION INSTRUCTIONS