

Keep With Operators Manual

## BACKHOE SUBFRAME KIT 65A, 75 & 85 BACKHOES KIOTI TRACTORS

KIOTI

DK65, DK65C, DK65S, DK65SC

Reference to right, left, front and back refers to operator seated in tractor seat in normal operating position.

Complete backhoe mounting requires subframe channel kit 2-6509. Tractor must be equipped with RHINO or SMC Loader.

**IMPORTANT:** Remove linch pins and disconnect supports to disable 3-point hitch arms.

**NOTE:** Leave all attaching hardware loose until mounting kit is completely assembled to facilitate assembly and proper alignment unless otherwise instructed. Tighten all hardware to torque specifications in operator's manual.

### TRACTOR PREPARATION

1. Remove drawbar from tractor hitch bracket.
2. Remove tractor hitch bracket from tractor.

### INSTALLING MOUNTING BRACKETS (Figure 3)

1. Replace hitch bracket removed in Tractor Preparation step 2 above with rear backhoe mounting bracket (1) using hardware removed from original hitch bracket. Install tractor drawbar onto rear backhoe mounting bracket (1).
2. Support fuel tank and remove hardware securing front tank support from underside of tractor. Install front mounting bracket (2) onto bottomside of tractor using 2" spacers (3) at front of bracket and 2-1/4" spacers (4) at rear of bracket. Fasten using 14mm x 100mm (11) 9/16 flat washers (12) and 9/16 lock washers (13).

If installing with KMW loader, front mounting (2) is fastened directly over KMW belly crosstie using hardware above and spacers are not used.

### INSTALLING SUBFRAME (Figure 3)

1. Install front and rear crosstubes (3 & 4) to channels (19 & 20) using 1/2 x 1-1/4 cap screws (10) and 1/2 lock nuts (9).

**NOTE:** Install front and rear crosstubes (3 & 4) in holes as illustrated in figure 3.

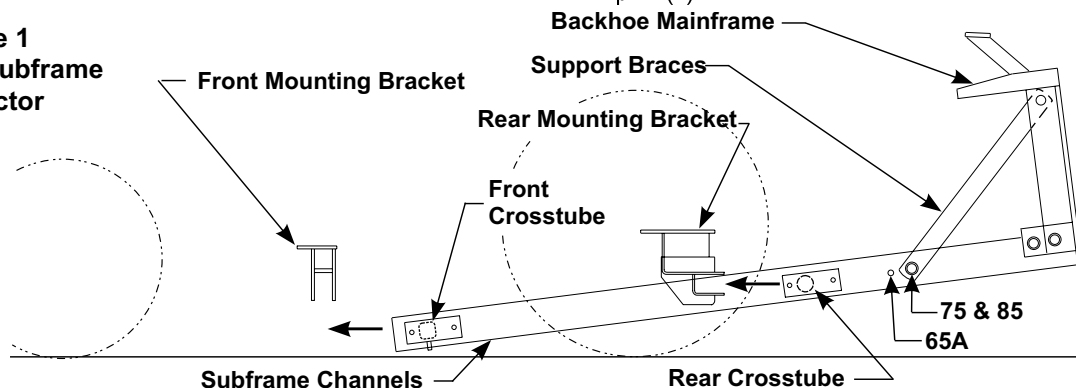
2. Install subframe assembly to backhoe mainframe using 7/8 x 3 cap screws (16), 7/8 lock washers (18) and 7/8 nuts (17) in rear holes and 3/4 x 2 cap screws (14) and 3/4 lock nuts (15) in front holes.
3. Install support braces (21) onto subframe using 3/4 x 2-3/4 cap screws (22) and 3/4 lock nuts (23) in channels (19 & 20) on backhoe mainframe. See figure 2 for proper location depending on backhoe used.

**NOTE:** Double nut cap screw (items 22) after torquing first nut to 350 Ft Lbs.

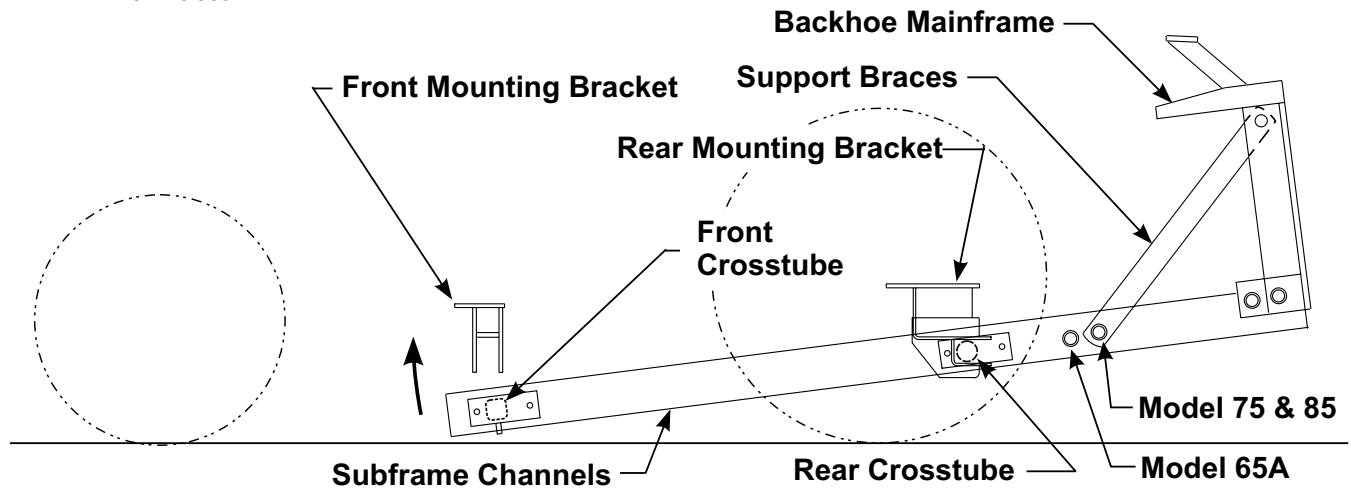
### MOUNTING BACKHOE TO TRACTOR

1. Back tractor over subframe close enough to connect to backhoe hydraulic system.
2. Using backhoe hydraulic controls, extend stabilizer cylinders and boom cylinder until rear crosstube (6) is level with rear mounting bracket (1) and front of subframe is on ground (Figure 1).
3. Slowly back tractor until rear crosstube (6) is seated in rear mounting bracket (1).
4. Retract boom cylinder and stabilizer cylinders so front of subframe swings up until front crosstube (5) is seated in front mounting bracket (2) (See figure 2).
5. Secure front crosstube in place using pins (7) and linch pins (8).

**Figure 1**  
Mounting Subframe  
To Tractor



**Figure 2**  
**Mounting Subframe**  
**To Tractor**



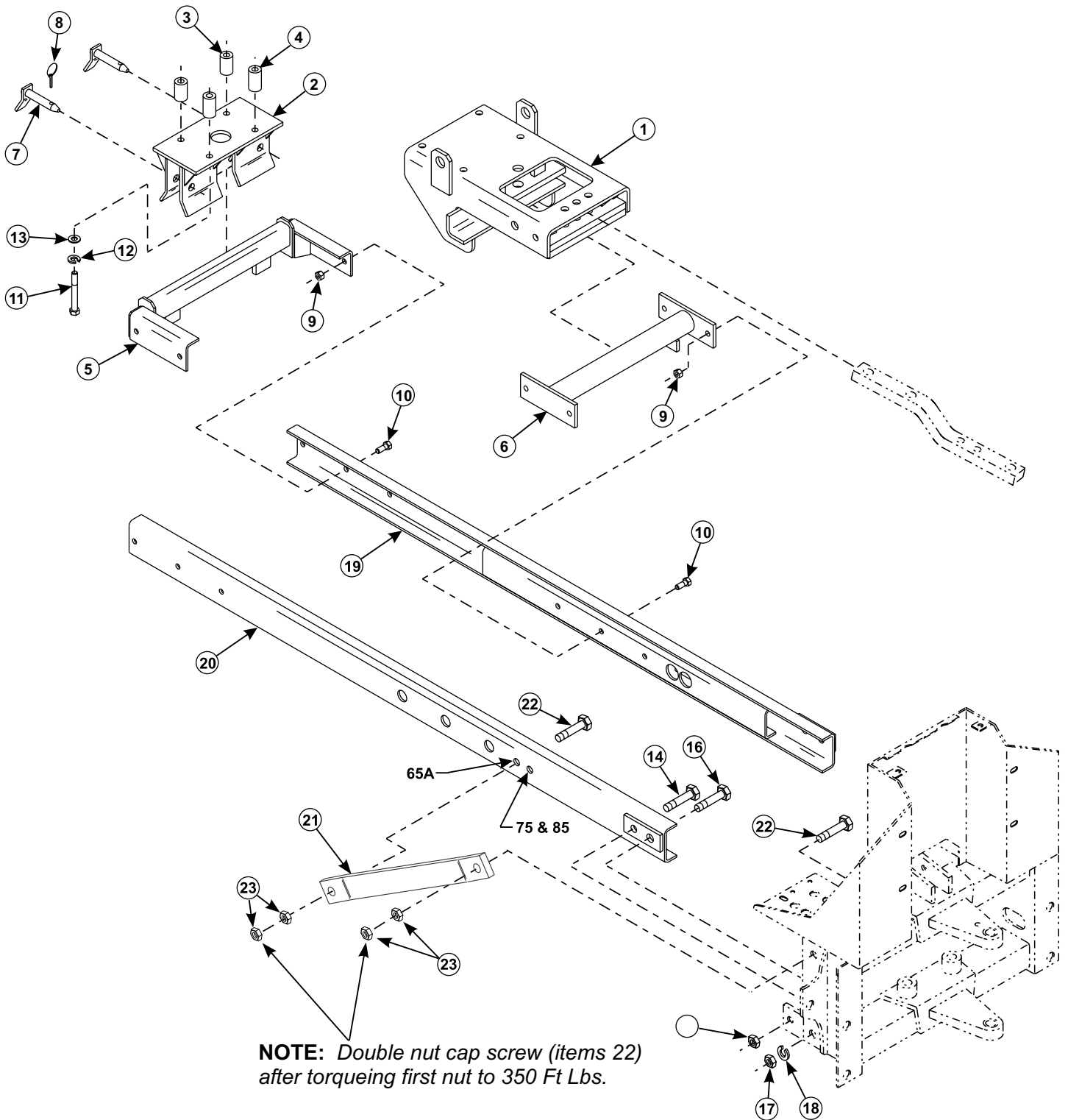
**PARTS LIST - SUBFRAME MOUNTING KIT**

ITEM	PART NO.	DESCRIPTION	QTY.
1	51105	MOUNTING BRACKET ASSEMBLY, Rear	1
2	51100	MOUNTING BRACKET ASSEMBLY, Front	1
3	43395-4	SPACER TUBE, 2"	2
4	43395-5	SPACER TUBE, 2 1/4"	2
5	51095	CROSSTUBE ASSEMBLY, Front	1
6	51091	CROSSTUBE ASSEMBLY, Rear	1
7	44892	PIN ASSEMBLY	2
8	44756-1	PIN, Linch	2
9	41840-5	NUT, Lock, 1/2-13	8
10	41838-2	SCREW, Cap, 1/2-13 x 1 1/4	8
11	42672-55	SCREW, Cap, 14mm-1.5 x 100	4
12	41837-6	WASHER, Lock, 9/16	4
13	42502-11	WASHER, Flat, 9/16	4
14	41838-8	SCREW, Cap, 3/4-10 x 2	2
15	41840-8	NUT, Lock, 3/4-10	2
16	41838-53	SCREW, Cap, 7/8-9 x 3	2
17	41840-9	NUT, 7/8-9	2
18	41837-9	WASHER, Lock, 7/8	2

**PARTS LIST - SUBFRAME CHANNEL KIT - 2-6509 - Order Separately**

ITEM	PART NO.	DESCRIPTION	QTY.
19	45700-1	CHANNEL ASSEMBLY, Left	1
20	45700-2	CHANNEL ASSEMBLY, Right	1
21	44836	SUPPORT BRACE	2
22	42969-4	SCREW, Cap, 3/4-10 x 2-3/4, Grade 8	4
23	47264-8	NUT, Lock, 3/4-10	8

**Figure 3**  
**Subframe Mounting Kit**



# **INSTALLATION INSTRUCTIONS**