

Keep With Operator's Manual

**NEW HOLLAND 756C, 757C, & 758C AND CASE IH BHX172,  
BHX190 & BHX1102 BACKHOE HYDRAULIC KIT  
NEW HOLLAND 1530, 1630, 1725, 1925, TC25,  
TC29, TC29D, TC33 & TC33D TRACTORS,  
CASE IH D25, DX25, D29, DX29, D33 & DX33 TRACTORS**

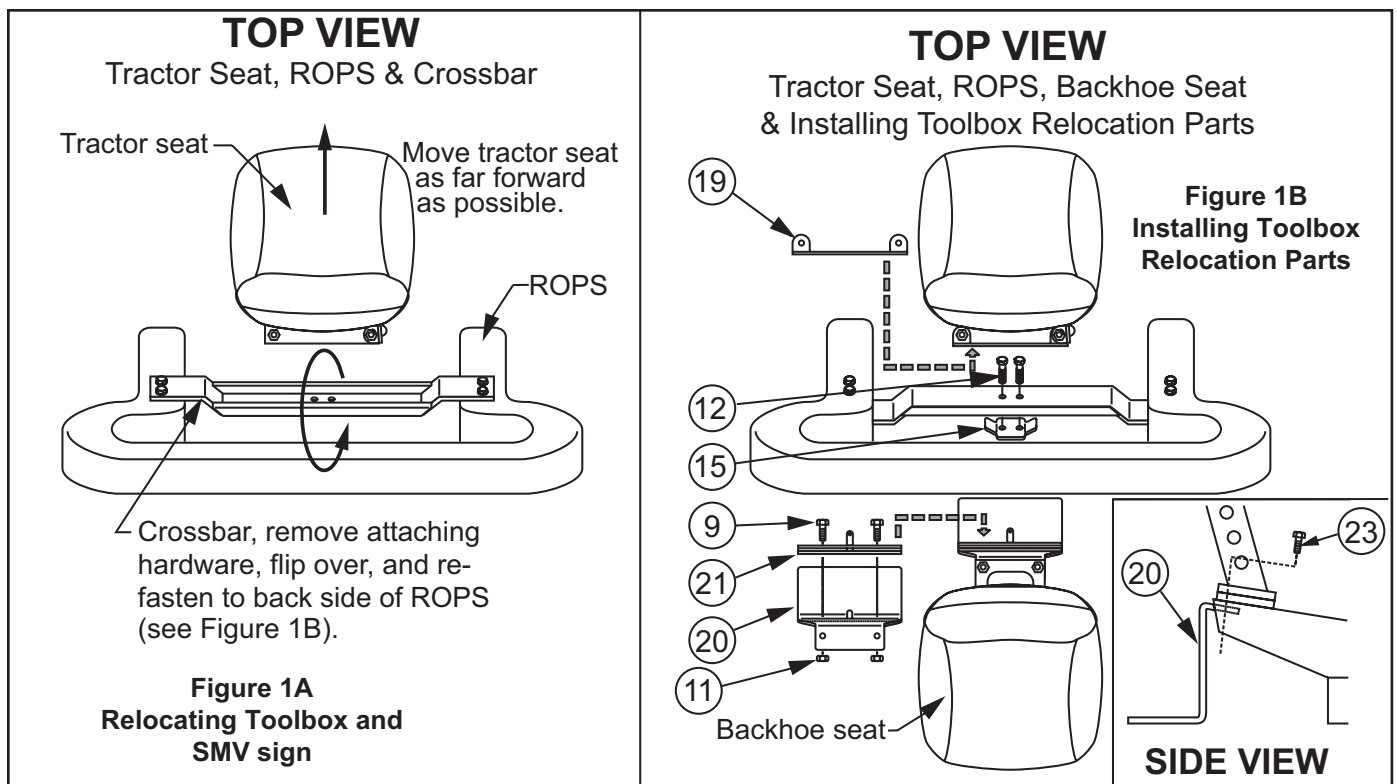
Hydraulic kit can be installed on tractor and backhoe using tools ordinarily available. Tractor must be equipped with loader to operate backhoe.

**RELOCATING TOOL BOX (Figure 1A & 1B)**

1. Remove tractor toolbox. Remove toolbox support angle, upper three-point link hook and SMV bracket from crossbar, which is fastened to ROPS. Leave bolted assembly of these brackets intact and only remove assembly from crossbar. Save hardware for later use.
2. Temporarily remove crossbar from ROPS tube, saving all hardware for re-use.
3. Slide tractor seat as far forward as possible. Install seat stop (19) by fastening it to 10 mm studs at base of seat assembly behind seat. Sandwich attaching ears of stop (19) between spring bracket and seat base. Stop bracket (19) will prevent interference between swiveled seat and crossbar. Reinstall nuts onto studs and tighten.

4. Reverse crossbar so offset is toward front of tractor and refasten crossbar to rear side of ROPS tube.
5. Refasten toolbox support angle, upper three-point link hook, and SMV bracket assembly to crossbar using 3/8 x 2-1/4 cap screws(12) and spacer flat (15.)
6. Fasten backhoe toolbox support (20) to bottom side of seat mounting bracket on backhoe frame using existing lock nuts and 3/8 x 1.50 cap screws (23).
7. Fasten toolbox lock bracket (21) to toolbox support (20) under backhoe seat using 5/16 x 3/4 cap screws (9) and lock nuts (11).

**NOTE:** When mounting backhoe to tractor, relocate toolbox from back of tractor to location under backhoe seat to prevent toolbox from interfering with backhoe seat. Reinstall toolbox back onto tractor when backhoe is removed.



**INSTALLING HYDRAULIC KIT (Figure 3)**

1. Using 8mm allen wrench, remove plug from tank port on tractor remote valve cover plate on right side above rear axle. Install 1/2 x 3/8 elbow fitting (2) then 1/2 dust cap (8) and 1/2 male quick coupler (14) to tank port. Point fittings rearward and slightly downward to avoid tractor valve linkage.
2. Remove backhoe valve cover plate. Install 3/8 x 90 (5) hose to inlet port on backhoe valve (figure 3). Install 3/8 male quick coupler (4) to end of 3/8 x 90 hose (5).
3. Install 1/2 x 72 hose (10) to tank port on backhoe valve (Figure 3). Install 1/2 inch female quick coupler (13) to end of 1/2 x 72 hose (10). Reinstall backhoe valve cover plate.
4. Route hoses under backhoe footrest and along outside of subframe channels. Secure hoses under footrest using 11 inch tie strap (17).
5. Remove valve cover and knob on tractor loader valve. Remove steel oil line between tractor loader valve power beyond port and tractor hydraulic manifold power beyond port "A". Remove fitting at manifold (figure 3).
6. Install 3/8 adapter fitting (1), 3/8 dust cap (22) and 3/8 male quick coupler (4) to power beyond port "A" of hydraulic manifold.
7. Install 1/2 x 38 hose (7) to power beyond port of tractor loader valve. Route hose through floorboard cutout. Reinstall valve cover and knob onto loader valve. Install 3/4 x 3/8 elbow fitting and 3/8 female quick coupler (6) to end of 1/2 x 38 hose (7). Install fittings so 1/2 x 38 hose can be connected to manifold without being twisted. Couple power beyond hose from loader valve to manifold.

**MOUNTING BACKHOE TO TRACTOR**

1. Back tractor slowly toward backhoe, parallel to subframe assembly, until hoses can be connected to tractor. Lower 3-point lift arms to near level position. Shut off tractor engine.



**WARNING:** To prevent possible damage to hoses and backhoe valve, always shut off tractor engine when coupling or uncoupling hoses from backhoe. Make sure connections are complete at couplers.

2. Connect tank hose (10) to tractor tank port. Uncouple power beyond hose (7) at manifold. Connect backhoe pressure hose (5) to tractor power beyond hose (7).
3. Start tractor using backhoe controls, extend bucket and lower stabilizers to provide a base for raising subframe. Using stabilizers, raise subframe to proper height to connect to tractor. Position 3-point lift arms inside backhoe subframe support braces.
4. Slowly back tractor until subframe is engaged in mounting bracket and mounting ears.

**NOTE:** Check to be sure hoses are not pinched between tractor and subframe.

Connect subframe to mounting ears using pins provided in subframe kit.

5. After backhoe has been mounted to tractor, check all hydraulic connections. Slowly cycle backhoe cylinders several times to purge air from hydraulic system. Retract cylinders and shut off engine. Replenish tractor hydraulic system



**WARNING:** Escaping hydraulic fluid under pressure can penetrate skin causing serious injury.

- *DO NOT use your hands to check for leaks. Use a piece of cardboard or paper to search for leaks.*
- *Stop engine and relieve pressure before connecting or disconnecting lines.*
- *Tighten all connections before starting engine or pressurizing lines.*
- *Make sure hoses are secure and will not rub on ground or tires.*

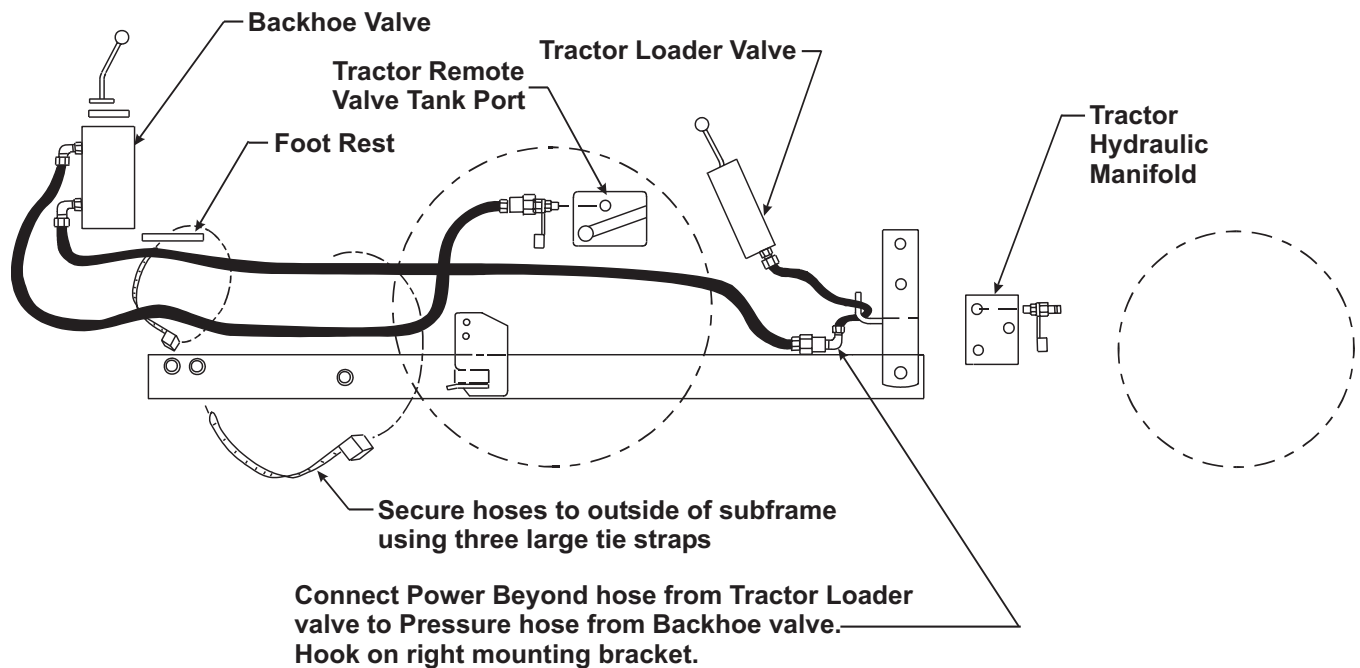
If any fluid is injected into skin, obtain medical attention immediately or gangrene may result.

6. Lower stabilizers and rotate boom full left and right. Check clearance between swing cylinders and 3-point lift arms.

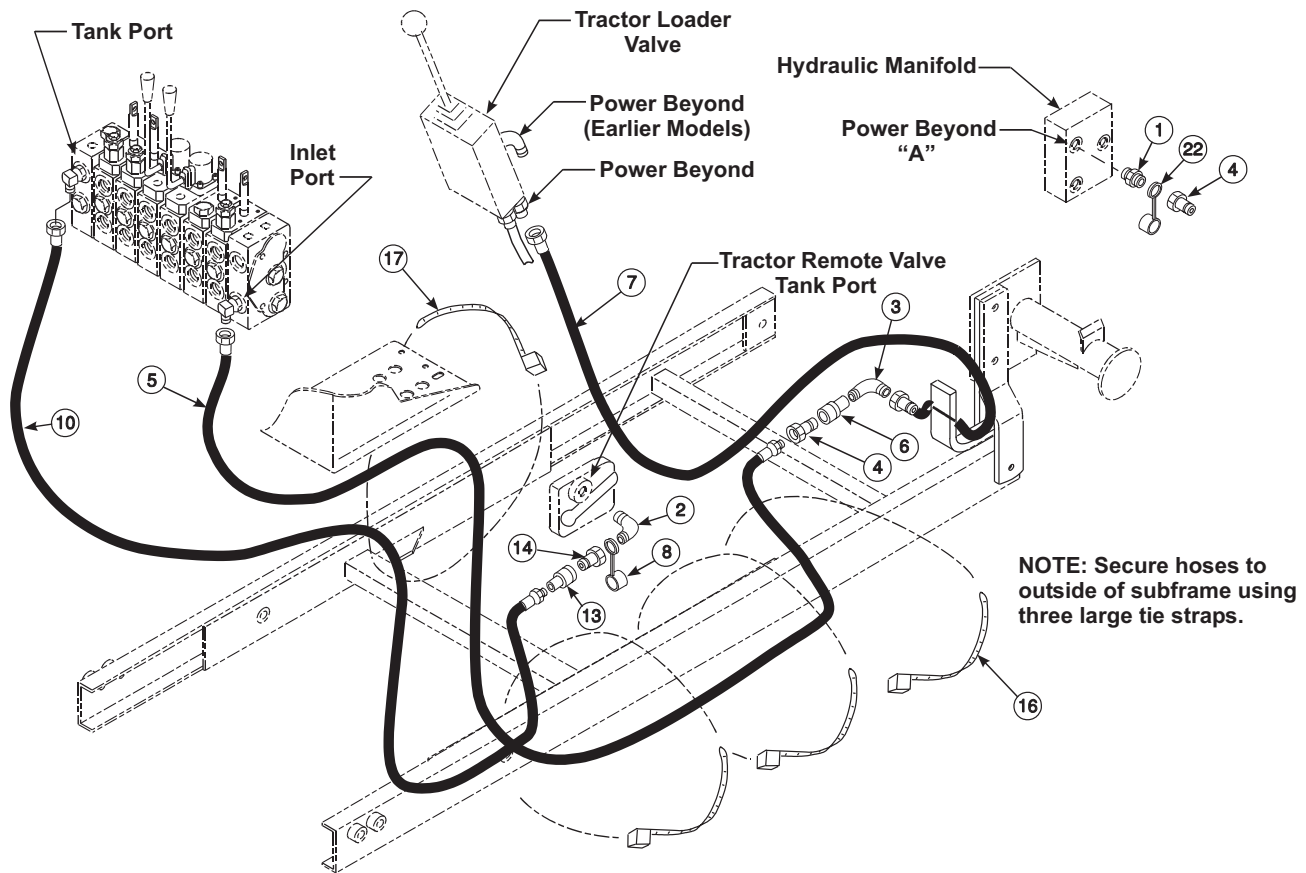
## PARTS LIST - REPAIR PARTS

Item	Part No.	NH number	Description	Qty.
1	44982-1	87560	FITTING, Adapter, 3/8 NPTF x 3/8 NPTF	1
2	34644-2	SML346442	FITTING, Elbow, 1/2 NPT x 3/8 NPT, 90°	1
3	39609-8	86513075	FITTING, Elbow, 3/4-16 JIC x 3/8 NPT, 90°	1
4	6137-4	86583622	QUICK COUPLER, Male, 3/8	2
5	36336-13	SML3633613	HOSE, 3/8 x 90, 3/4-16 JIC x 3/8 NPT	1
6	6147-4	86583553	QUICK COUPLER, Female, 3/8	1
7	38792-9	SML387929	HOSE, 1/2 x 38	1
8	4838-3	86581687	DUSTCAP, 1/2	1
9	41838-26	87872	SCREW, Cap, 5/16-18 x 3/4 Gr. 5 YDP	2
10	41053-4	SML410534	HOSE, 1/2-72, 3/4 JIC x 1/2 NPT	1
11	41840-2	86629544	NUT, Lock, 5/16-18 YDP	2
12	41838-19	88556	SCREW, Cap, 3/8-16 x 2-1/4 Gr. 5 YDP	2
13	6147-8	SML61478	QUICK COUPLER, Female, 1/2	1
14	6137-6	SML61376	QUICK COUPLER, Male, 1/2	1
15	51000	SML51000	SPACER, Flat, Toolbox Bracket Relocation	1
16	8137-3	86581720	STRAP, Adjustable Tie, 1/2 x 20	3
17	8137-6	SML81376	STRAP, Adjustable Tie, 5/16 x 11	1
18	41840-3	9637692	NUT, Lock, 3/8-16 YDP	2
19	50997	SML50997	BRACKET, Seat Stop	1
20	50998	SML50998	BRACKET, Toolbox	1
21	50999	SML50999	BRACKET, Lock, Toolbox	1
22	4838-5	86583637	DUSTCAP, 3/8	1
23	41838-23	88616	SCREW, Cap, 3/8-16 x 1.50 Gr. 5 YDP	2

**Figure 2**  
**Mounting Backhoe to Tractor**



**Figure 3**  
Hydraulic Kit Assembly



# INSTALLATION INSTRUCTIONS