

Keep with Operator's Manual

MOUNTING KIT

SMC & RHINO 2408 LOADER ON MASSEY FERGUSON 1433V & 1440V FWA TRACTORS

TRACTOR AND MOUNTING KIT GENERAL INFORMATION

Mounting kit can be installed on tractor using tools ordinarily available. Shut off engine and engage brakes during installation.

This mounting kit is not compatible with a front bumper or weight bracket. If tractor is equipped with a front bumper or weight bracket, remove it before installing loader mounting kit.

INSTALLING LOADER MOUNTING BRACKETS (Figure 1)

NOTE: *Install all attaching hardware loose (unless noted otherwise) until mounting kit is completely assembled to facilitate assembly and proper alignment. Tighten all hardware to torques specified in general torque specifications table included in the loader operator's manual.*

1. Fasten front mounting bracket (1) to front of tractor frame using 1/2-13 x 1-1/2" cap screws (9) and lock nuts (14). Placing flat spacers (4) between side plates of front mounting bracket (1) and side plates of tractor frame, fasten front mounting bracket (1) and spacers (4) to sides of tractor frame using 1/2-13 x 2" cap screws (10), flat washers (15), and lock nuts (14).

NOTE: *Mounting kit is designed to be compatible with certain models of mid-mounted mowers. If tractor is equipped with mid mounted mower, do not use spacer plates (4), as mower front attaching brackets will use spacer thickness.*

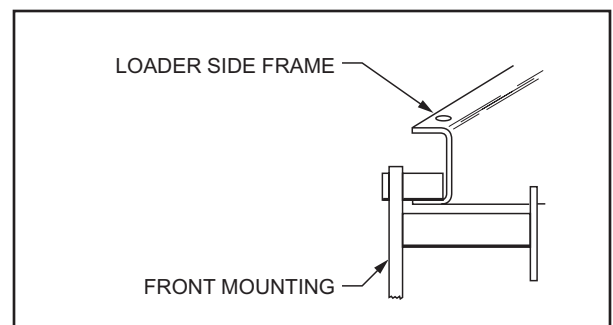
2. Attach left mid mounting bracket (2) to left side of tractor transmission casting using 14mm-2.00 x 35mm cap screws (7), and lock washers (13) in all holes except two front-most holes of left mid mounting. Attach left mid mounting bracket (2) to tractor frame at two front-most holes using 12mm-1.75 x 35mm cap screws (8) and 1/2" lock washers (16). Repeat procedure to attach right mid mounting bracket (3) to right side of tractor.

NOTE: *Mounting kit is designed to be compatible with certain models of mid-mounted mowers. Bottom holes of mid mounting brackets are provided to attach mid mower support straps.*

3. If tractor is equipped with industrial tires, attach left and right oscillation stops (5 & 6) to tractor frame using 5/16-18 x 1-1/4" cap screws (11), flat washers (12), and rubber nut inserts (17).
4. Tighten all hardware to torques specified in general torque specifications table included in loader operator's manual.

INSTALLING LOADER ONTO TRACTOR AND MOUNTING BRACKETS

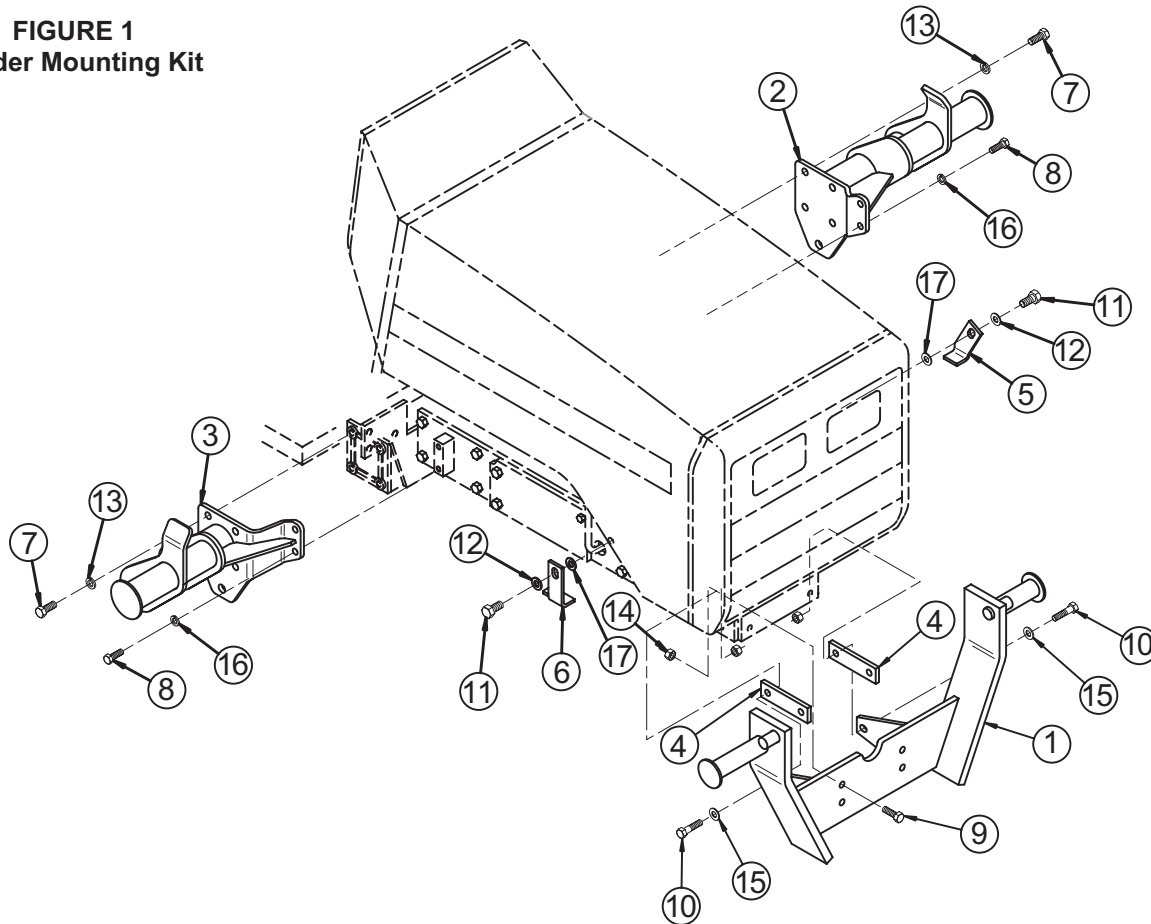
1. Attach nylon slings around loader front bumper and use an overhead hoist to support loader while removing pallet attachment brackets from loader. Temporarily remove 3/8" lock nuts and carriage bolts which secure angle brackets to loader, then remove pallet. Reinstall hardware to loader to secure pins and hinges to loader.
2. Temporarily remove 5/8-10 x 2-1/4" cap screws, washers, and lock nuts so hinges can be opened. Lower loader to a horizontal position and attach nylon slings around loader lift boom arms.
3. Use overhead hoist to raise loader and position side frame channels over front mounting bracket. Slide loader to rear until side frame uprights are on mid mounting tubes.



NOTE: *Take care to avoid side of tractor platform when positioning loader onto mid mount brackets.*

4. Clamp hinges around tubes of mid mounting brackets. Fasten hinges using 5/8-10 x 2-1/4" cap screws, flat washers, lock washers, and nuts removed earlier.
5. Refer to loader operator's manual and plumbing kit instructions to complete loader installation and for

FIGURE 1
Loader Mounting Kit



PARTS LIST – MOUNTING KIT

Item	Part No.	Description	Qty.
1	51044	MOUNTING BRACKET, Front	1
2	51045-1	MOUNTING BRACKET, Mid, Left	1
3	51045-2	MOUNTING BRACKET, Mid, Right	1
4	51054	SPACER, Plate	2
5	51053	OSCILLATION STOP, Left	1
6	51052	OSCILLATION STOP, Right	1
7	49040-12	SCREW, Cap, 14mm-2.00 x 35mm Grade 10.9	8
8	49040-11	SCREW, Cap, 12mm-1.75 x 35mm Grade 10.9	4
9	41838-33	SCREW, Cap, 1/2-13 x 1-1/2" Grade 5	4
10	41838-13	SCREW, Cap, 1/2-13 x 2" Grade 5	4
11	41838-34	SCREW, Cap, 5/16-18 x 1-1/4"	2
12	42502-27	WASHER, Flat, 5/16"	4
13	41837-6	WASHER, Lock, 9/16"	8
14	41840-5	NUT, Lock, 1/2-13, Type-N	8
15	42502-10	WASHER, Flat, 1/2"	4
16	41837-5	WASHER, Lock, 1/2"	4
17	51175-1	RUBBER NUT INSERT 5/16"	2

INSTALLATION INSTRUCTIONS