

| |
|-----------------------------|
| Keep With Operator's Manual |
|-----------------------------|

MOUNTING KIT

65, 75 & 85 BACKHOE ON AGCO ST35, ST35X, ST40 & ST40X AND MASSEY FERGUSSON 1433, 1433V, 1440 & 1440V 4WD TRACTORS

TRACTOR AND MOUNTING KIT GENERAL INFORMATION

Reference to left and right used in these instructions refer to position when seated in operating position on backhoe.

Complete backhoe mounting requires this subframe mounting kit (2-7249) and subframe channel kit (2-6509).

NOTE: *Install all attaching hardware loose (unless noted otherwise) until backhoe subframe is completely assembled to facilitate assembly and proper alignment. Tighten all hardware to torques specified in general torque specifications table included in backhoe operator's manual.*

INSTALLING MOUNTING BRACKETS (Figure 1)

1. Install front mounting bracket (1) to underside of transmission casting using 12mm-1.75 x 45mm cap screws (7) and 1/2" lock washers (8).
2. Remove tractor drawbar pin and temporarily remove tractor drawbar. Support tractor drawbar bracket and remove four 14mm-2.00 cap screws—two bottom and two lower rear—which secure tractor drawbar bracket to rear of tractor, leaving top two screws at rear.
3. Fasten rear mounting bracket (2) and tractor rear hitch plate to tractor using 14mm-2.00 x 45mm cap screws (9) and 9/16" lock washers (10). Place tractor drawbar at desired setting and fasten drawbar and rear mounting bracket (2) to tractor hitch plate using 1-8 x 4-1/2" cap screw (18), flat washers (19), lock washer (20), and hex nut (21).

NOTE: *1-8 x 4-1/2" cap screw (18) flat washers (19), lock washer (20), and hex nut (21) replace drawbar hitch pin.*

INSTALLING SUBFRAME (Figure 1)

1. Install front and rear cross tubes (3 & 4) to channels (22 & 23) using 1/2-13 x 1-1/4" cap screws (11) and 1/2-13 lock nuts (12).

NOTE: *Install front cross tube (3) into forward holes of channel. Install rear cross tube (4) in rear holes of channel.*

2. Install subframe assembly to backhoe mainframe using 7/8-9 x 3" cap screws (15), 7/8" lock washers (17) and 7/8-9 hex nuts (16) in rear holes, and 3/4-10 x 2" cap screws (13) and 3/4-10 lock nuts (14) in front holes.
3. On 65 backhoe, install support braces (20) in front set of holes in subframe channels (22 & 23). On 75 & 85 backhoes, install support braces (20) in rear set of holes in subframe channels (22 & 23) (See figure 2).

MOUNTING BACKHOE ONTO TRACTOR (FIGURES 2 & 3)

1. Back tractor over subframe close enough to connect to backhoe hydraulic system.
2. Using backhoe hydraulic controls, extend stabilizer cylinders and boom cylinder until rear crosstube (4) is level with rear mounting bracket (2) and front of subframe is on ground (figure 2).
3. Slowly back tractor until rear crosstube (4) is seated in rear mounting bracket (2) (figure 3).
4. Retract boom cylinder and stabilizer cylinders so front of subframe swings up until front crosstube (3) is seated in front mounting bracket (1) (figure 3).
5. Secure front crosstube (3) in place using clevis pins (5) and linch pins (6).

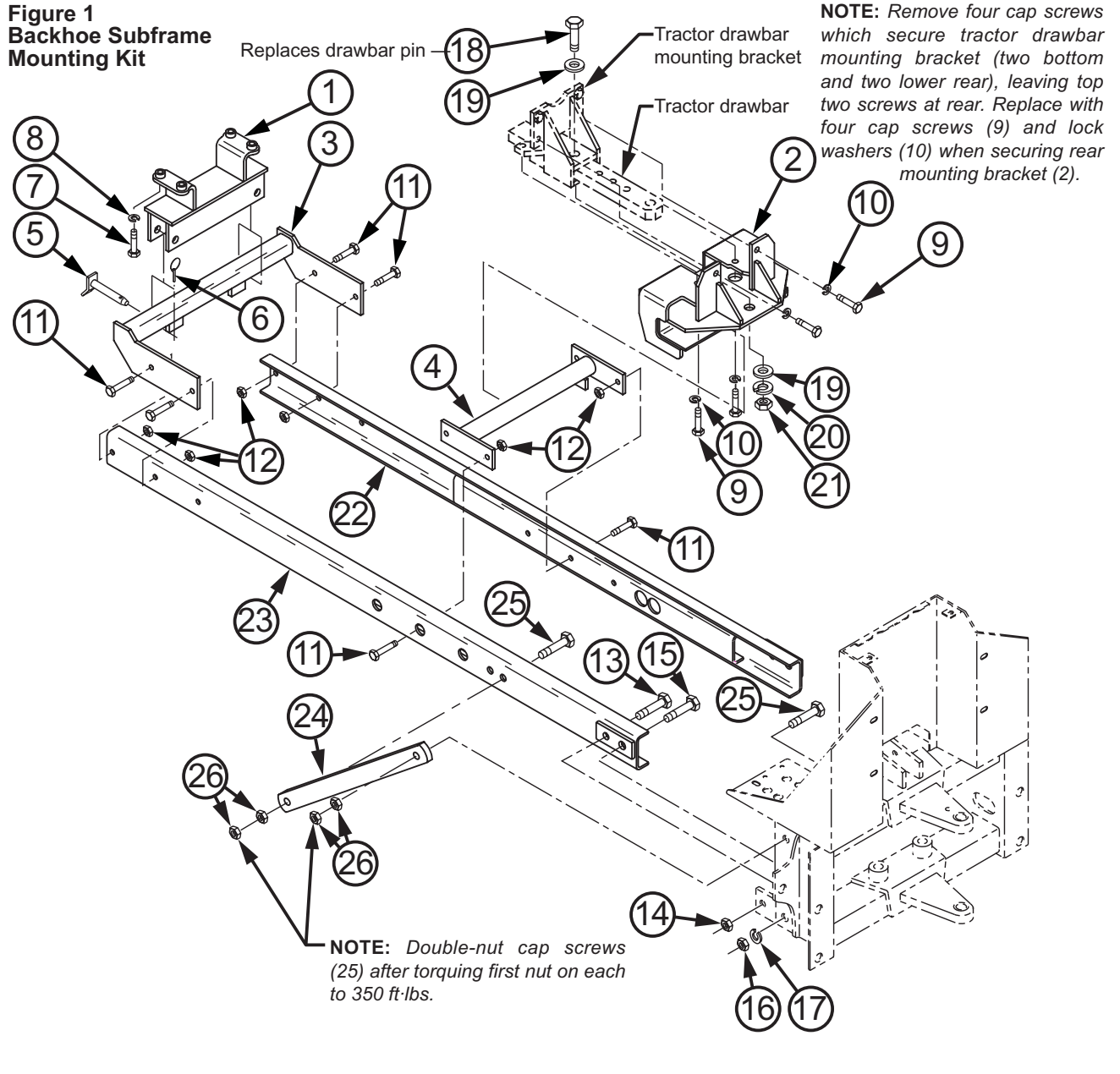
2-7249**PARTS LIST – BACKHOE SUBFRAME MOUNTING KIT – 2-7249**

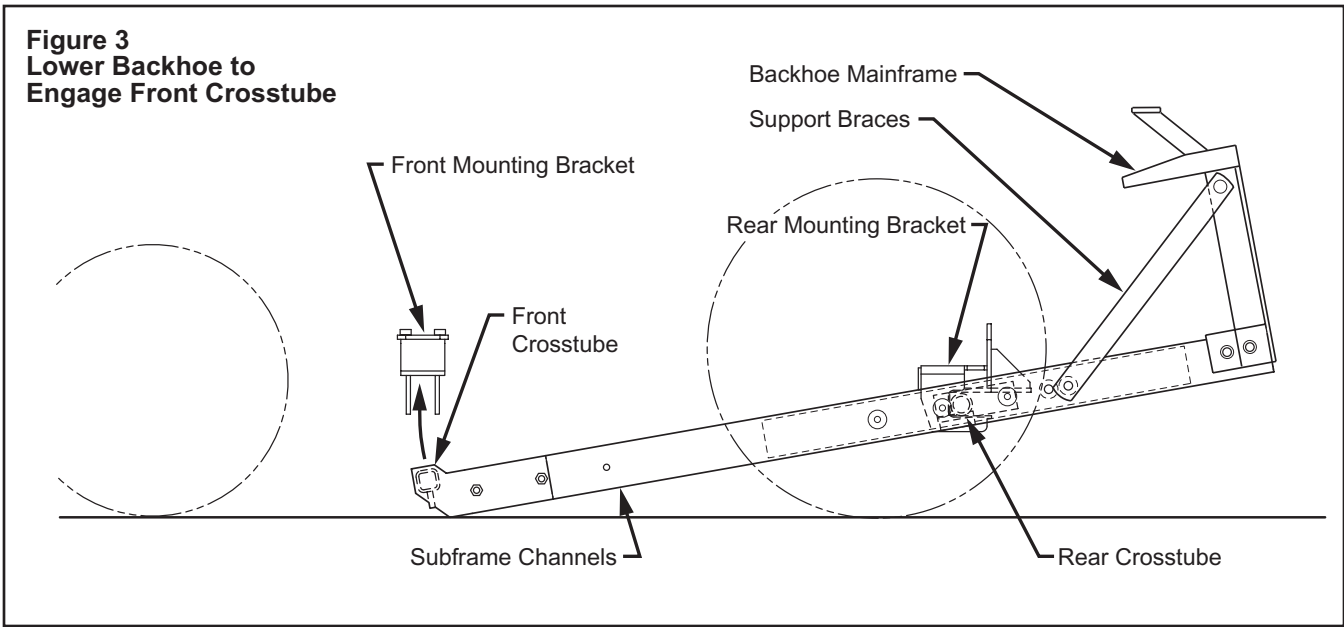
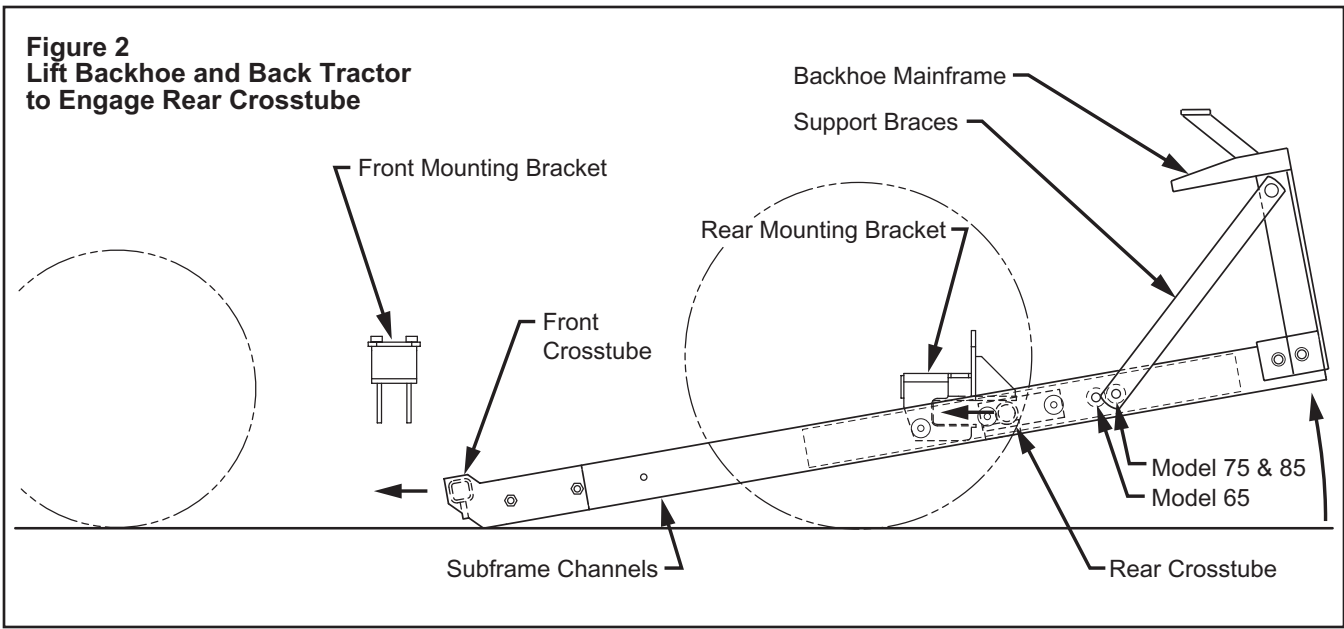
| Item | Part No. | Description | Qty. |
|-------------|-----------------|--|-------------|
| 1 | 51066 | MOUNTING BRACKET, Front | 1 |
| 2 | 51060 | MOUNTING BRACKET, Rear | 1 |
| 3 | 51070 | CROSSTUBE, Front | 1 |
| 4 | 51065 | CROSSTUBE, Rear | 1 |
| 5 | 44892 | PIN, Hitch | 2 |
| 6 | 44756-1 | PIN, Linch | 2 |
| 7 | 42672-16 | SCREW, Cap, 12mm-1.75 x 45mm Grade 8.8 | 4 |
| 8 | 41837-5 | WASHER, Lock, 1/2" | 4 |
| 9 | 42672-38 | SCREW, Cap, 14mm-2.00 x 45mm Grade 8.8 | 4 |
| 10 | 41837-6 | WASHER, Lock, 9/16" | 4 |
| 11 | 41838-2 | SCREW, Cap, 1/2-13 x 1-1/4" | 8 |
| 12 | 41840-5 | NUT, Lock, 1/2-13 | 8 |
| 13 | 41838-8 | SCREW, Cap, 3/4-10 x 2" | 2 |
| 14 | 41840-8 | NUT, Lock, 3/4-10, Type-N | 2 |
| 15 | 41838-53 | SCREW, Cap, 7/8-9 x 3" | 2 |
| 16 | 41836-9 | NUT, Hex, 7/8-9 | 4 |
| 17 | 41837-9 | WASHER, Lock, 7/8" | 2 |
| 18 | 41838-16 | SCREW, Cap, 1-8 x 4-1/2" Grade 5 | 1 |
| 19 | 42502-15 | WASHER, Flat, 1" | 2 |
| 20 | 41837-10 | WASHER, Lock, 1" | 1 |
| 21 | 41836-20 | NUT, Hex, 1"-8 | 1 |

PARTS LIST – BACKHOE SUBFRAME CHANNEL KIT – 2-6509 – Order Separately

| Item | Part No. | Description | Qty. |
|-------------|-----------------|--------------------------------------|-------------|
| 22 | 45700-1 | CHANNEL, Left | 1 |
| 23 | 45700-2 | CHANNEL, Right | 1 |
| 24 | 44836 | SUPPORT BRACE | 2 |
| 25 | 41838-42 | SCREW, Cap, 3/4-10 x 2-3/4", Grade 8 | 4 |
| 26 | 47264 | NUT, Lock, 3/4-10 | 8 |

Figure 1
Backhoe Subframe
Mounting Kit





INSTALLATION INSTRUCTIONS