

Keep with Operator's Manual

## GRILLE GUARD CASE IH TRACTORS

MODELS
JX80U, JX90U & JX100U

### TRACTOR AND GRILLE GUARD GENERAL INFORMATION

Grille guard can be installed on tractor using tools ordinarily available, including standard and metric wrenches and a torque wrench.

Grille guard is designed to be compatible with front weight bracket and weights.

Grille guard is designed to be compatible with Alamo SMC or Rhino 4211 loaders. If loader is to be installed, install grille guard while installing loader mounting brackets.

Reference to left and right used in these instructions refer to position when seated in operating position on tractor.

Shut off engine and engage brakes during installation.

### INSTALLING GRILLE GUARD (Figure 1)

**NOTE:** Leave all attaching hardware loose (unless noted otherwise) until grille guard is completely assembled to facilitate assembly and proper alignment. When grille guard is completely assembled, tighten all hardware to torques specified.

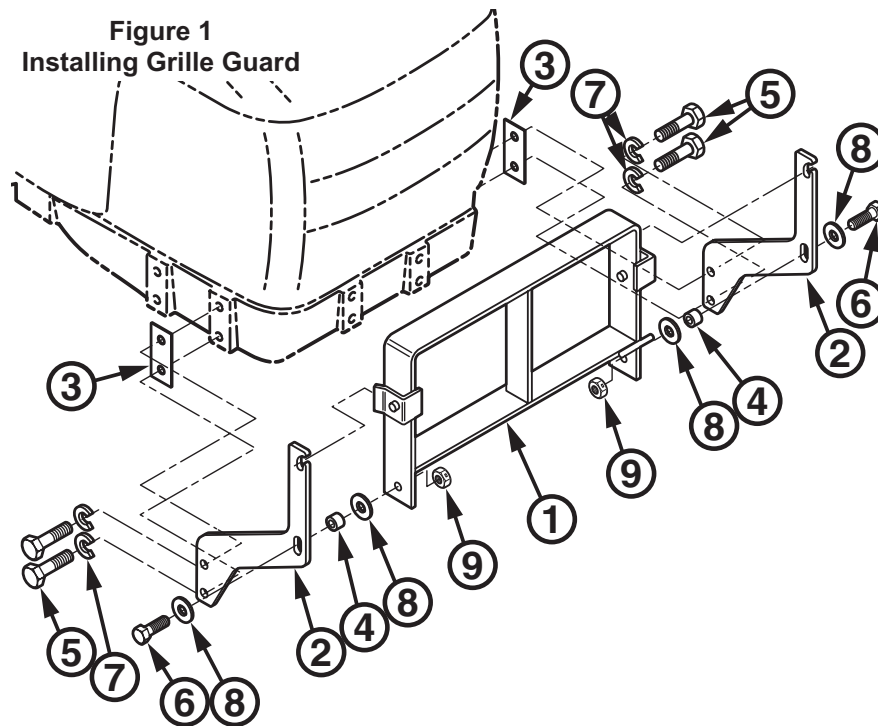
1. Placing spacer (3) between grille guard support bracket (2) and side of tractor front casting, fasten support bracket (2) and spacer (3) to each side of tractor using 20mm x 50mm cap screws (5) and lock washers (7).

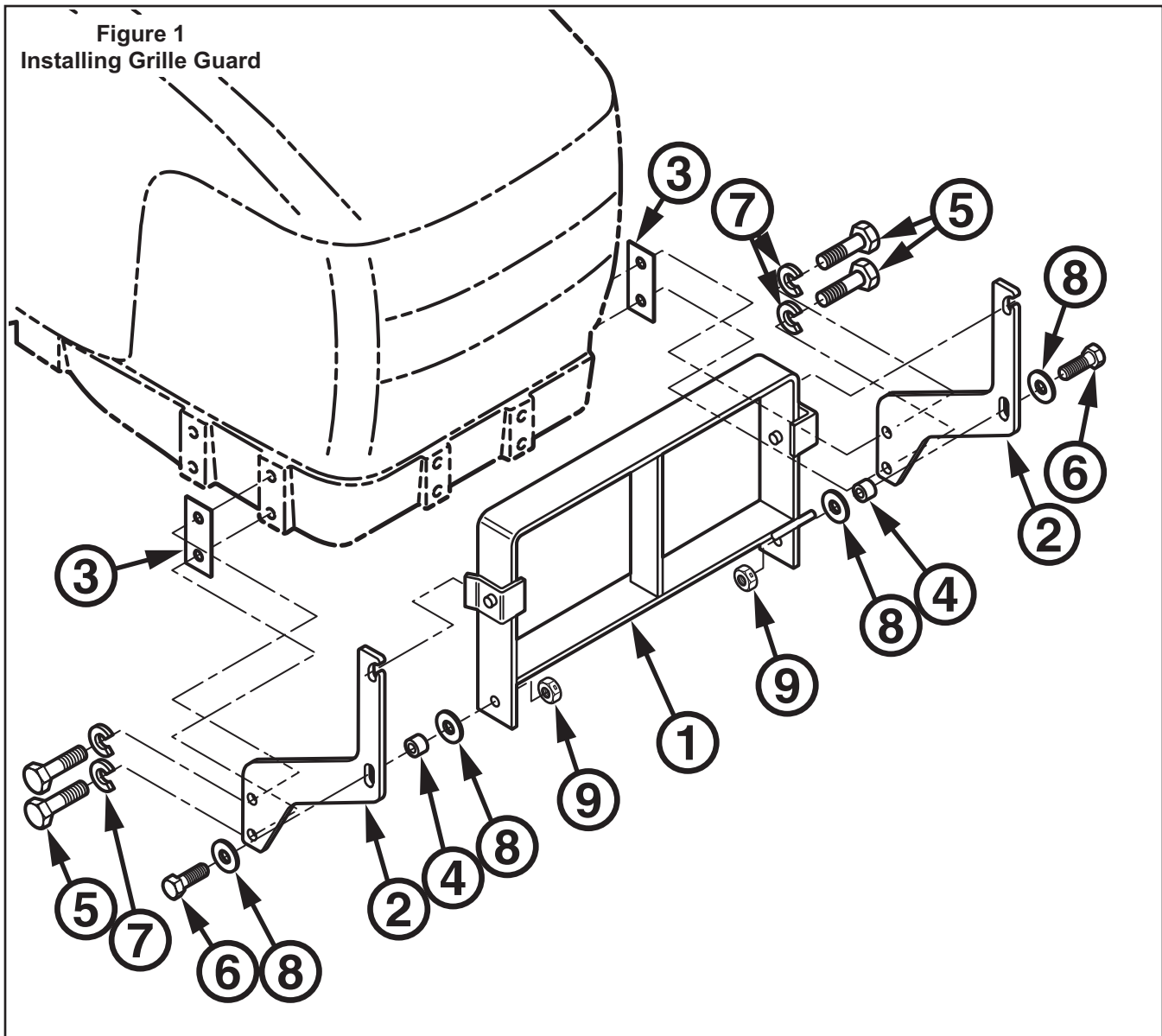
**NOTE:** When mounting grille guard with 4211 loader, do not use front-most pair of spacers provided with loader mounting kit. (Space is taken up by grille guard supports [2] and spacers [3].) Do not use 20mm x 60mm cap screws (5) provided with this kit. Instead, use hardware provided with loader mounting kit.

2. Attach grille guard (1) to grille guard supports (2) using 1/2 x 1-1/2" cap screws (6), flat washers (8), spacer tubes (4) and lock nuts (9).
3. Torque 20mm-2.50 class 8.8 hardware to 270ft.·lbs. (366Nm) and torque 1/2-13 Grade 5 hardware to 70ft.·lbs. (94Nm).

### OPENING TRACTOR HOOD

To allow tractor hood to be opened, lift grille guard to top of slots and tilt guard forward, away from tractor hood.





**PARTS LIST - GRILLE GUARD**

Item	Part No.	Description	Qty.
1	51678	GRILLE GUARD	1
2	51677	BRACKET, Grille Guard Support	2
3	47386	SPACER, Plate	2
4	47427-1	SPACER, Tube	2
5	42672-39	SCREW, Cap, 20mm-2.50 x 60mm, Class 8.8	4
6	41838-33	SCREW, Cap, 1/2-13 x 1-1/2, Grade 5	2
7	48093-2	WASHER, Lock, 20mm"	4
8	42502-30	WASHER, Flat, 1/2"	4
9	41840-5	NUT, Lock, 1/2-13	2

# INSTALLATION INSTRUCTIONS