

CNH Original
Parts
**INSTALLATION
INSTRUCTIONS**

**#718233016 FRONT WEIGHT BRACKET
COMPACT TRACTORS**

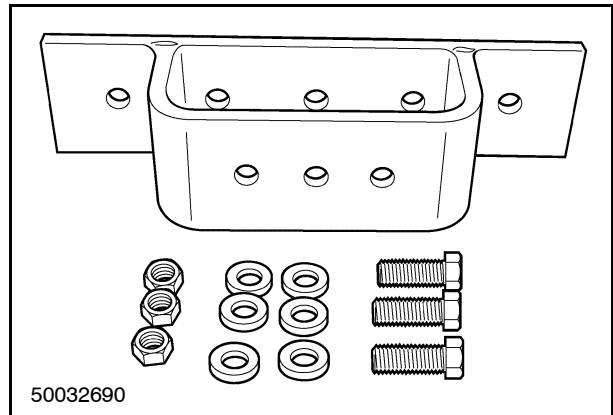
NEW HOLLAND MODELS
TC48DA, TC55DA

CASE IH MODELS
DX48, DX55

APPROXIMATE INSTALLATION TIME - .25 HOURS

INTRODUCTION

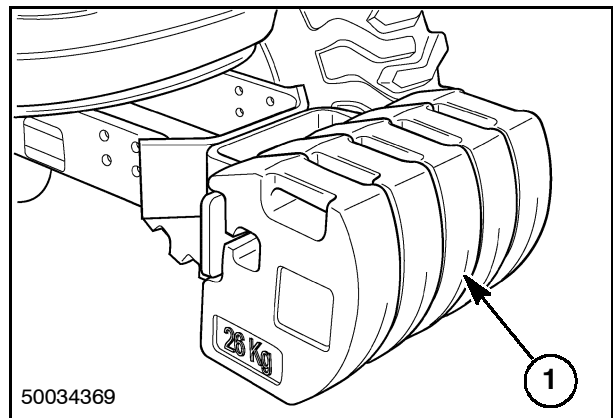
The front weight bracket kit provides a mounting bracket, three-M16x50 bolts, six flat washers, and three-M16 nuts.



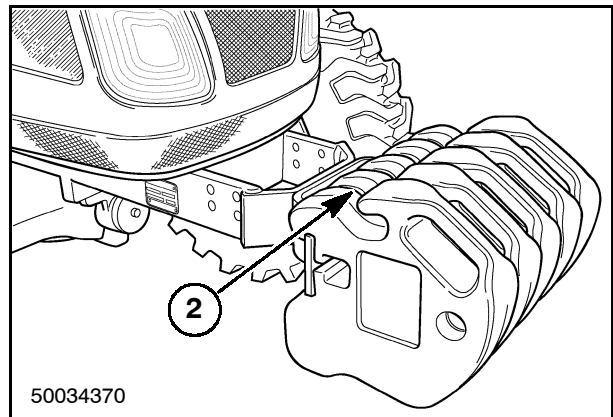
1

The front weight bracket kit makes it possible to add up to five-60lb (27kg) weights, 1, or five-100lb (45kg) weights, 2, to the front of the tractor.

NOTE: The mount bracket has a modified edge to hang the weights. The bracket should be mounted to the tractor with that edge upward.



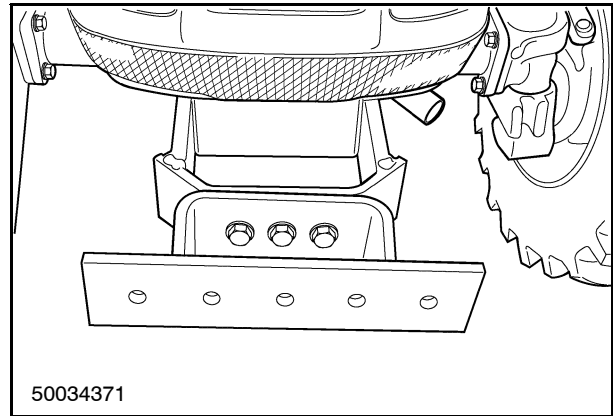
2



3

INSTALLATION

1. Position the bracket onto the front of the tractor.
2. Install the bolts, washers and nuts, and tighten to 177 ft-lbs. (240 N·m).

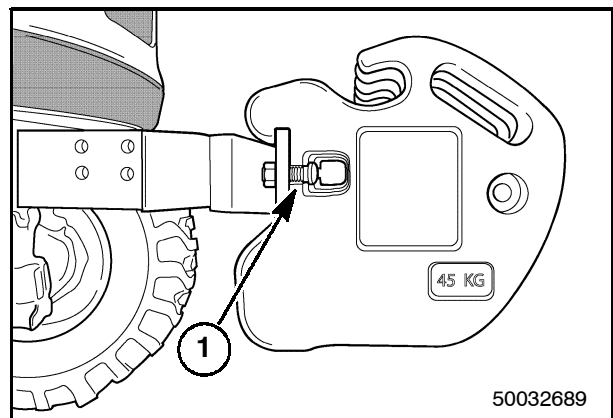


4

INSTALLING WEIGHTS

1. Install the front weights onto the mount bracket one at a time, using a 5/8x2 1/4-in. carriage bolt, lock washer, and nut, 1, to fasten the weights to the bracket.

NOTE: Procure hardware locally.



5

INSTALLATION INSTRUCTIONS