

Keep with Operator's Manual

GRILLE GUARD CASE IH & McCORMICK TRACTORS

Case IH Model	Earlier Model McCormick	Later Model McCormick
MX100		MTX120
MX110	MTX110	MTX135
MX120	MTX125	MTX150
MX135	MTX140	MTX165
MX150	MTX155	MTX185
MX170	MTX175	MTX200

TRACTOR AND GRILLE GUARD GENERAL INFORMATION

Grille guard can be installed on tractor using tools ordinarily available, including standard and metric wrenches and a torque wrench.

Grille guard can be used on tractors with or without front weights.

Grille Guard is not compatible with tie-down bracket which attaches at front two holes on each side of tractor front casting. If tractor is equipped with tie-down bracket, bracket and attaching hardware must be removed before installing grille guard.

Grille guard is designed to be compatible with Alamo SMC or Rhino 7214 loader. Grille guard may be installed before or after installing loader mounting brackets.

References to left and right used in these instructions refer to position when seated in operating position on tractor.

Shut off engine and engage brakes during installation.

INSTALLING GRILLE GUARD (Figure 1)

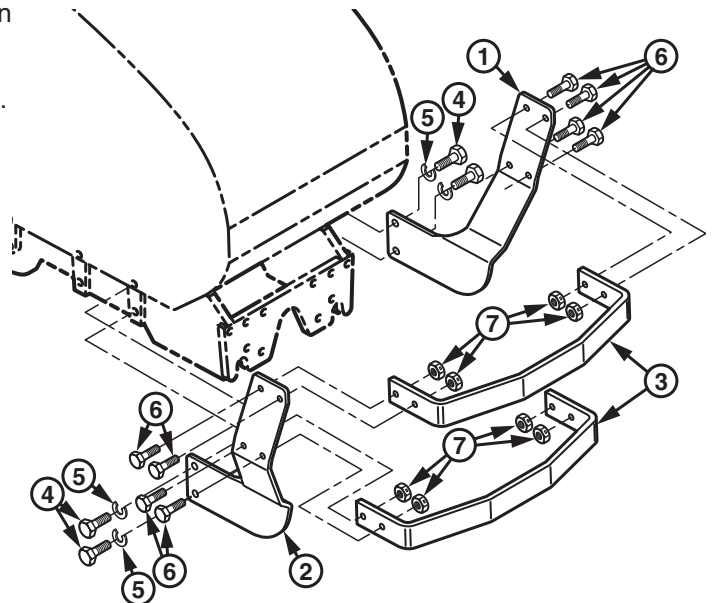
NOTE: Install all attaching hardware loosely (unless noted otherwise) until grille guard is completely assembled to facilitate assembly and proper alignment.

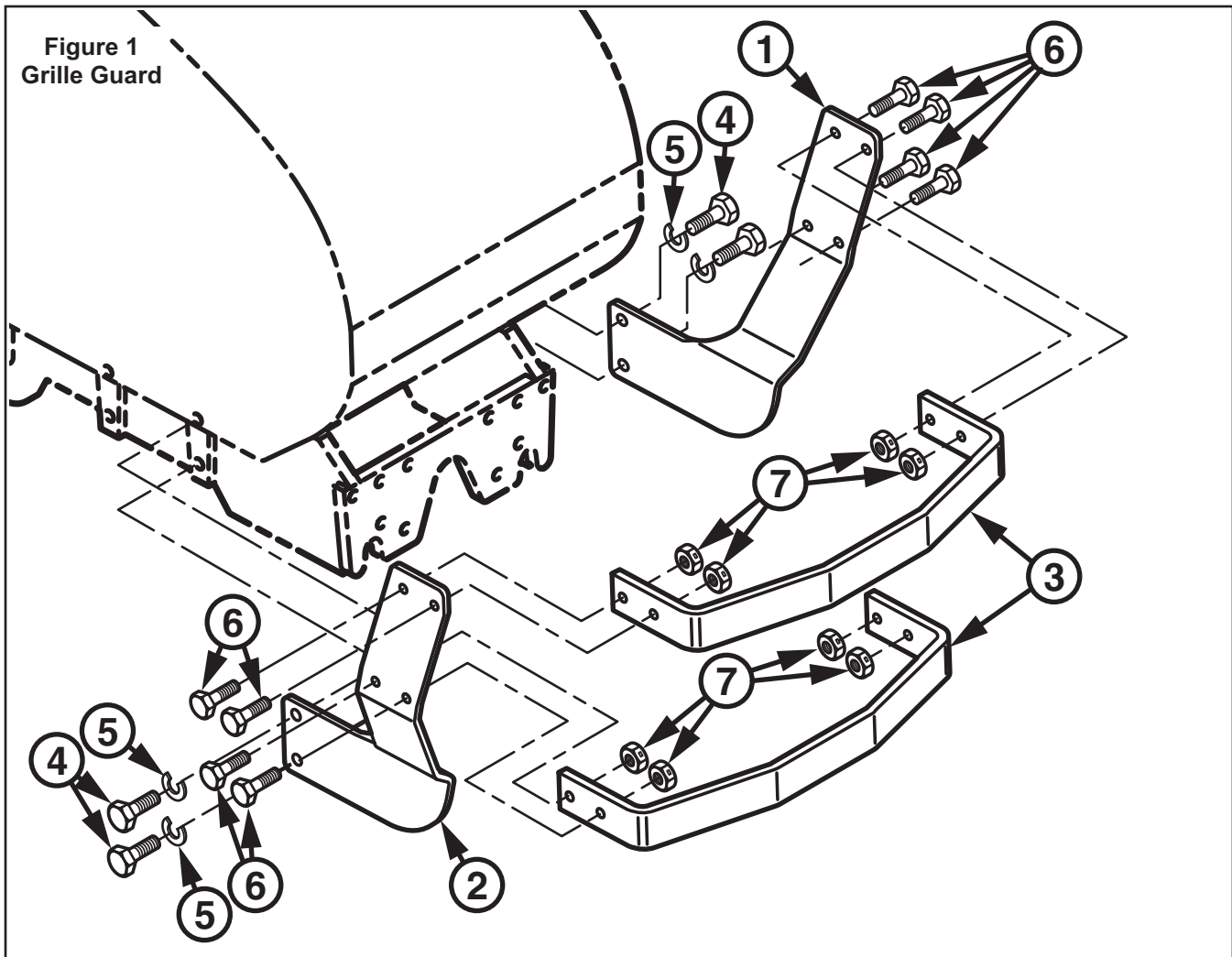
Support grille guard brackets (1 & 2) at front of tractor and fasten brackets (1 & 2) to sides of tractor front frame using 20mm x 50mm cap screws (4) and 20mm lock washers (5).

NOTE: Grille guard brackets (1 & 2) are offset away from tractor center.

Fasten grille channels (3) to grille brackets (1 & 2) using 5/8 x 2" cap screws (6) and lock nuts (7).

Tighten 20mm-2.50 hardware to 247-301 ft.·lbs. (335-408 N·m) of torque. Tighten 5/8-11 Grade 5 hardware to 126-139 ft.·lbs. (171-188 N·m) of torque.





PARTS LIST – GRILLE GUARD

Item	Part No.	Description	Qty.
1	52110-1	BRACKET, Grille Guard, Left	1
2	52110-2	BRACKET, Grille Guard, Right	1
3	52111	CHANNEL, Grille Guard	2
4	42672-37	SCREW, Cap, 20mm-2.5 X 50mm, Class 8.8	4
5	48093-2	WASHER, Lock, 20mm	4
6	41838-27	SCREW, Cap, 5/8-11 x 2", Grade 5	8
7	41840-7	NUT, Lock, 5/8-11	8

INSTALLATION INSTRUCTIONS