

Keep With Operator's Manual

LOADER MOUNTING KIT 2409 LOADER KUBOTA TRACTORS

MODEL	2WD	4WD	LESS CAB	WITH CAB
L2800	X	X	X	
L3400	X	X	X	

TRACTOR & LOADER GENERAL INFORMATION

Mounting brackets can be installed using tools ordinarily available. Shut off tractor engine and engage tractor brakes during installation.

After loader is installed, check to be sure front tires clear loader and mounting brackets in all possible positions.

If tractor is equipped with a front weight bracket, remove it before installing loader mounting brackets.

INSTALLING LOADER MOUNTING BRACKETS (Figure 1)

NOTE: Leave all attaching hardware loose until mounting brackets are completely assembled to facilitate assembly and proper alignment. Tighten all hardware to torque specifications in loader operators manual.

1. Fasten front mounting bracket (1) to front of tractor frame using 14mm x 40mm cap screws (5) and 9/16" lock washers (7).
2. Fasten right mid mounting bracket (3) to right side of tractor frame and casting using 16mm x 45mm cap screws (4) and 5/8" lock washers (6). Fasten left mid mounting bracket (2) to left side of tractor frame and casting using 16mm x 45mm cap screws (4) and 5/8" lock washers (6).

INSTALLING LOADER TO MOUNTING BRACKETS

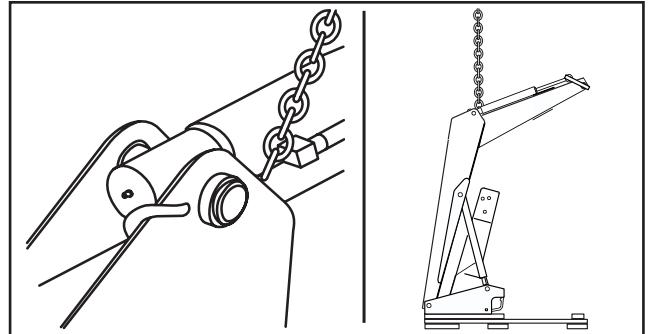


WARNING: To avoid injury during installation of quick attach loader, do not permit bystanders within ten feet of loader.

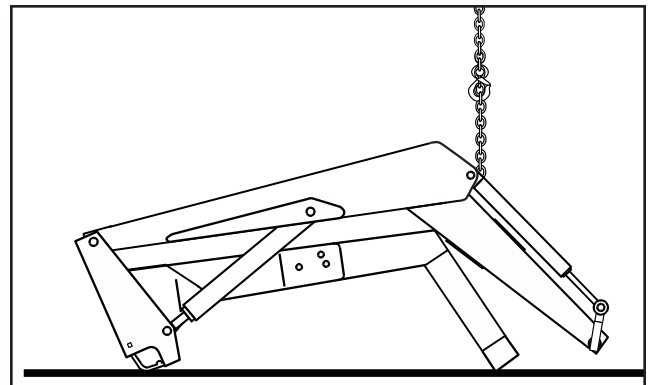
1. Loop chain under each lift cylinder and hook on loader boom arm. Using overhead hoist to support loader remove hardware securing loader to pallet. Lift loader and remove pallet.



CAUTION: Do not damage grease fitting on end of cylinder. Be sure chain does not pinch lift cylinder.



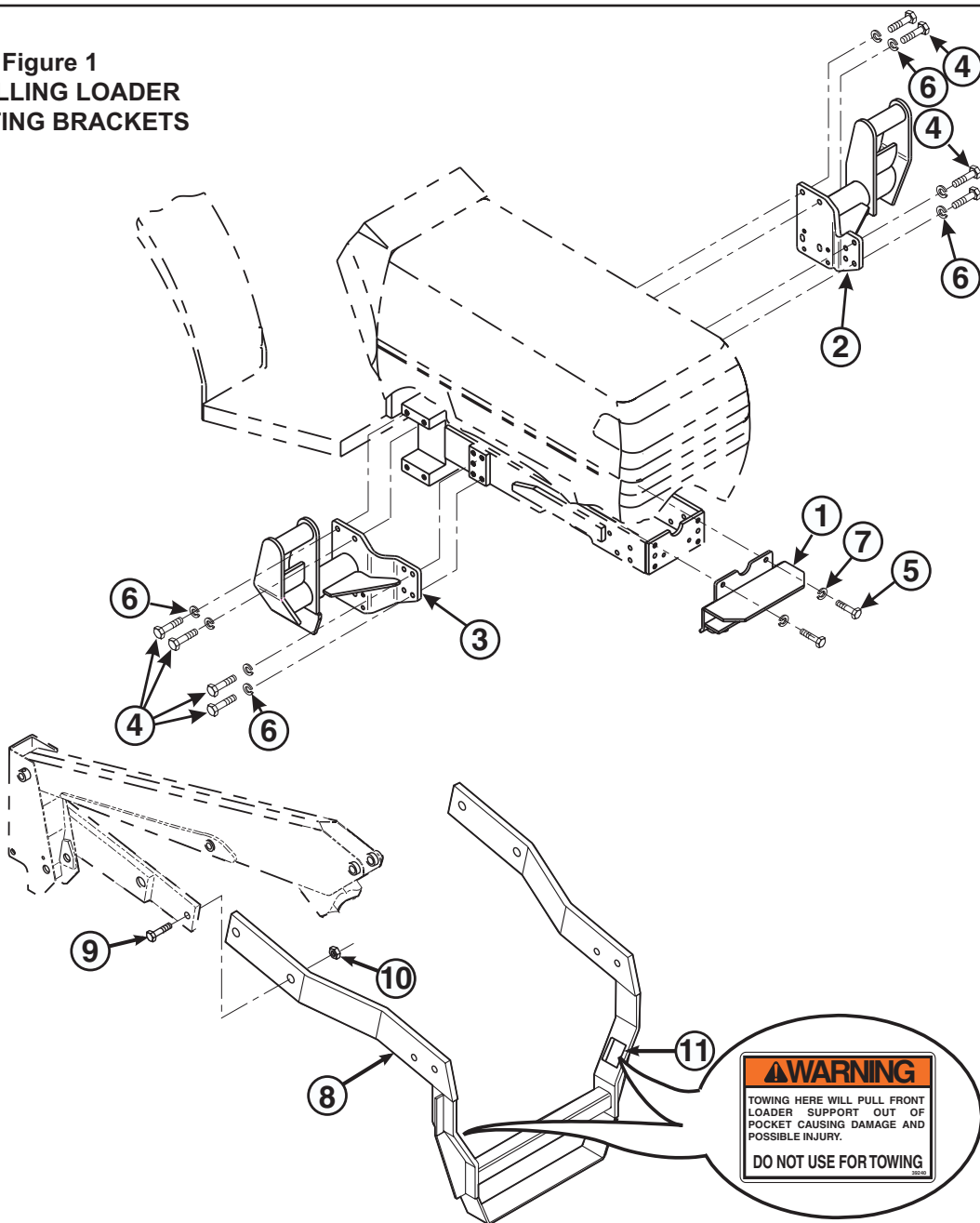
2. Using overhead hoist, lower loader from vertical shipping position to horizontal position leaving enough room to install yoke (8) (use cardboard scraps to protect painted surfaces). Install yoke (8) using 3/4 x 2-1/2" cap screws (9) and 3/4" lock nuts (10). Lower loader completely to the ground.



NOTE: Hardware connecting yoke to loader side frames should be snug but do not torque completely. After loader has been mounted to tractor and aligned with mid mounting brackets and front mounting brackets, torque hardware to 239-262 ft. lb.

3. Install hose or valve kit to tractor and loader. Refer to installation instructions provided with hose or valve kit.

Figure 1
INSTALLING LOADER
MOUNTING BRACKETS

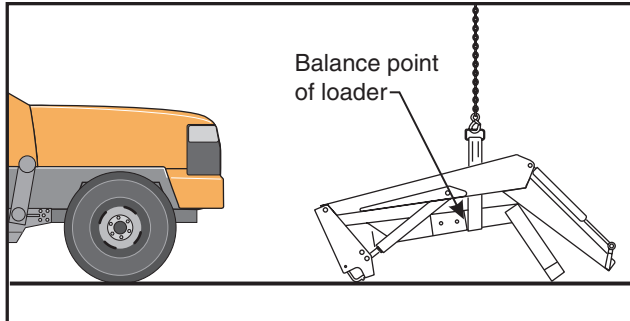


PARTS LIST - MOUNTING KIT

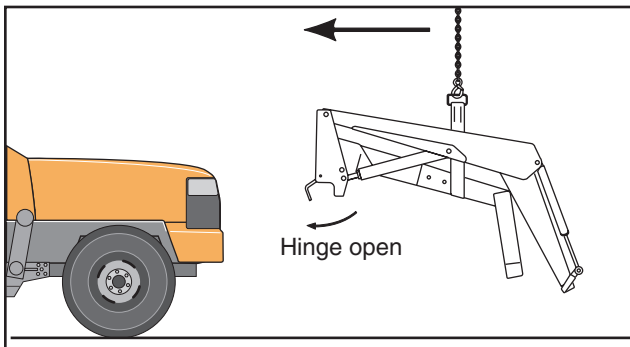
Item	Part No.	Description	Qty.
1	50940	BRACKET, Front Mounting	1
2	52088	BRACKET, Mid Mounting, Left	1
3	52089	BRACKET, Mid Mounting, Right	1
4	42672-66	SCREW, Cap, 16mm-1.50 x 45mm	18
5	42672-23	SCREW, Cap, 14mm-1.50 x 40mm	4
6	41837-7	WASHER, Lock, 5/8"	16
7	41837-6	WASHER, Lock, 9/16"	4
8	51328	YOKE, with Decals	1
9	41838-7	SCREW, Cap, 3/4-10 x 2-1/2"	4
10	41840-8	NUT, Lock, 3/4-10	4
11	39240	DECAL, Do not tow ...	2

INSTALLING LOADER TO MOUNTING BRACKETS (Continued)

4. Reposition overhead hoist by looping nylon strap around yoke near loader side frames at balance point of loader.



5. Using overhead hoist, raise loader until side frame uprights will clear front tires. Remove lock nut and washer from loader hinge and swing each hinge open.



6. Position loader so hinges hook over mid mounting tubes. Lift front of loader allowing yoke tube to contact top flange of front bracket. Slide loader rearward until yoke tube fits inside front mounting bracket.
7. Clamp hinges to mid mounting tubes with 3/4" flat washers and 3/4" flex-lock nuts (supplied with loader).

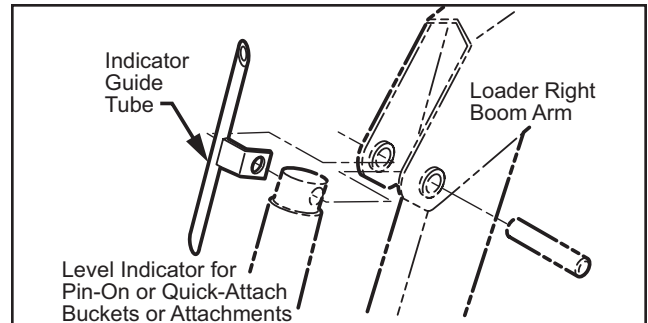
IMPORTANT: Be sure to use flex-lock nuts to clamp hinge. Tighten flex-lock nuts against hinge securely, but not to more than 125 ft.-lb. torque.

INSTALLING BUCKET

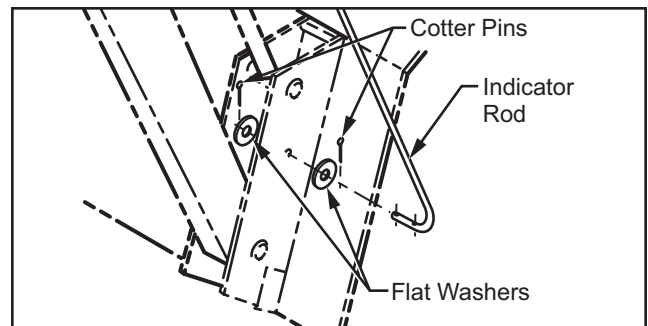
Refer to instruction sheet for instructions on installing bucket.

INSTALLING BUCKET LEVEL INDICATOR

1. Attach indicator guide tube to cylinder pin. Guide tube is positioned to outside of boom.



2. Slide bucket level indicator rod through guide tube. Attach other end of rod with 1/8 x 1" cotter pins and 3/8" flat washers.



3. Locate tractor and loader on level surface. With bottom of bucket resting on surface, cut off excess rod flush with end of guide tube or paint exposed rod a contrasting color.




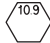
FINAL ASSEMBLY

1. Torque hardware securing front yoke to side frames to 239-262 ft. lb.
2. Adjust front wheel tread settings or steering stops, if necessary to prevent interference between tires and loader. Refer to tractor operator's manual for adjustment procedures.

GENERAL TORQUE SPECIFICATIONS

USE THE FOLLOWING TORQUES WHEN SPECIAL TORQUES ARE NOT GIVEN

Standard American and Metric Cap Screws

AMERICAN STANDARD CAP SCREWS										METRIC CAP SCREWS							
SAE Grade	5				8				Metric Class	8.8				10.9			
Typ. Head Markings									Typ. Head Markings								
Cap Screw	TORQUE				TORQUE				Cap Screw	TORQUE				TORQUE			
Size	FT·LBS		N·m		FT·LBS		N·m		Size	FT·LBS		N·m		FT·LBS		N·m	
Inches	MIN	MAX	MIN	MAX	MIN	MAX	MIN	MAX	Millimeters	MIN	MAX	MIN	MAX	MIN	MAX	MIN	MAX
1/4 - 20	6.25	7.25	8.5	10	8.25	9.5	11	13	M6 x 1.00	6	8	8	11	9	11	12	15
1/4 - 28	8	9	11	12	10.5	12	14	16	M8 x 1.25	16	20	21.5	27	23	27	31	36.5
5/16 - 18	14	15	19	20	18.5	20	25	27	M10 x 1.50	29	35	39	47	42	52	57	70
5/16 - 24	17.5	19	23	26	23	25	31	34	M12 x 1.75	52	62	70	84	75	91	102	123
3/8 - 16	26	28	35	38	35	37	47.5	50	M14 x 2.00	85	103	115	139	120	146	163	198
3/8 - 24	31	34	42	46	41	45	55.5	61	M16 x 2.50	130	158	176	214	176	216	238	293
7/16 - 14	41	45	55.5	61	55	60	74.5	81	M18 x 2.50	172	210	233	284	240	294	325	398
7/16 - 20	51	55	69	74.5	68	75	92	102	M20 x 2.50	247	301	335	408	343	426	465	577
1/2 - 13	65	72	88	97.5	86	96	116	130	M22 x 2.50	332	404	450	547	472	576	639	780
1/2 - 20	76	84	103	114	102	112	138	152	M24 x 3.00	423	517	573	700	599	732	812	992
9/16 - 12	95	105	129	142	127	140	172	190	M27 x 3.00	637	779	863	1055	898	1098	1217	1488
9/16 - 18	111	123	150	167	148	164	200	222	M30 x 3.00	872	1066	1181	1444	1224	1496	1658	2027
5/8 - 11	126	139	171	188	168	185	228	251	<p>NOTE: These values apply to fasteners as received from supplier, dry or when lubricated with normal engine oil. They do not apply if special graphite or moly sulphide greases or other extreme lubricants are used.</p>								
5/8 - 18	152	168	206	228	203	224	275	304									
3/4 - 10	238	262	322	355	318	350	431	474									
3/4 - 16	274	305	371	409	365	402	495	544									
7/8 - 9	350	386	474	523	466	515	631	698									
7/8 - 14	407	448	551	607	543	597	736	809									
1 - 8	537	592	728	802	716	790	970	1070									
1 - 14	670	740	908	1003	894	987	1211	1337									

INSTALLATION INSTRUCTIONS