

Keep with Operator's Manual
-----------------------------

## LOADER MOUNTING KIT 2406S LOADER CASE IH & NEW HOLLAND COMPACT CLASS I TRACTORS

CASE IH MODEL	NEW HOLLAND MODEL	2WD	FWA	ROPS	CAB
	TC18 (S/N UD33666 & Higher)		X	X	
DX21, DX23	TC21, TC21D (S/N UF33357 & Higher), TC21DA, TC23DA		X	X	
DX24, DX26	TC24D, TC24DA, TC26DA		X	X	

### TRACTOR & MOUNTING KIT GENERAL INFORMATION

Mounting kit can be installed on tractor and loader using tools ordinarily available, including standard and metric wrenches and a torque wrench.

This mounting kit is not to be used on manual-steer TC18 2WD tractor. It is not compatible with grille guard or tractor front weight bracket. If tractor is equipped with front grille guard or front weight bracket, it must be removed before installing loader mounting brackets. This mounting kit is compatible with model MWX and 914A mid mounted mower.

Valve and plumbing kit or hose kit to tractor loader control valve is required to plumb loader to tractor. It must be installed as part of initial loader mounting, but after loader mounting brackets have been installed. Refer to instructions later in this assembly manual and instructions contained in assembly manual provided with valve and plumbing kit.

Shut off engine and engage brakes during installation.

**NOTE:** Leave all attaching hardware loose until mounting brackets are completely assembled to facilitate assembly and proper alignment. Tighten all hardware to torques specified in general torque specifications table.

### INSTALLING MOUNTING BRACKETS (Figure 1)

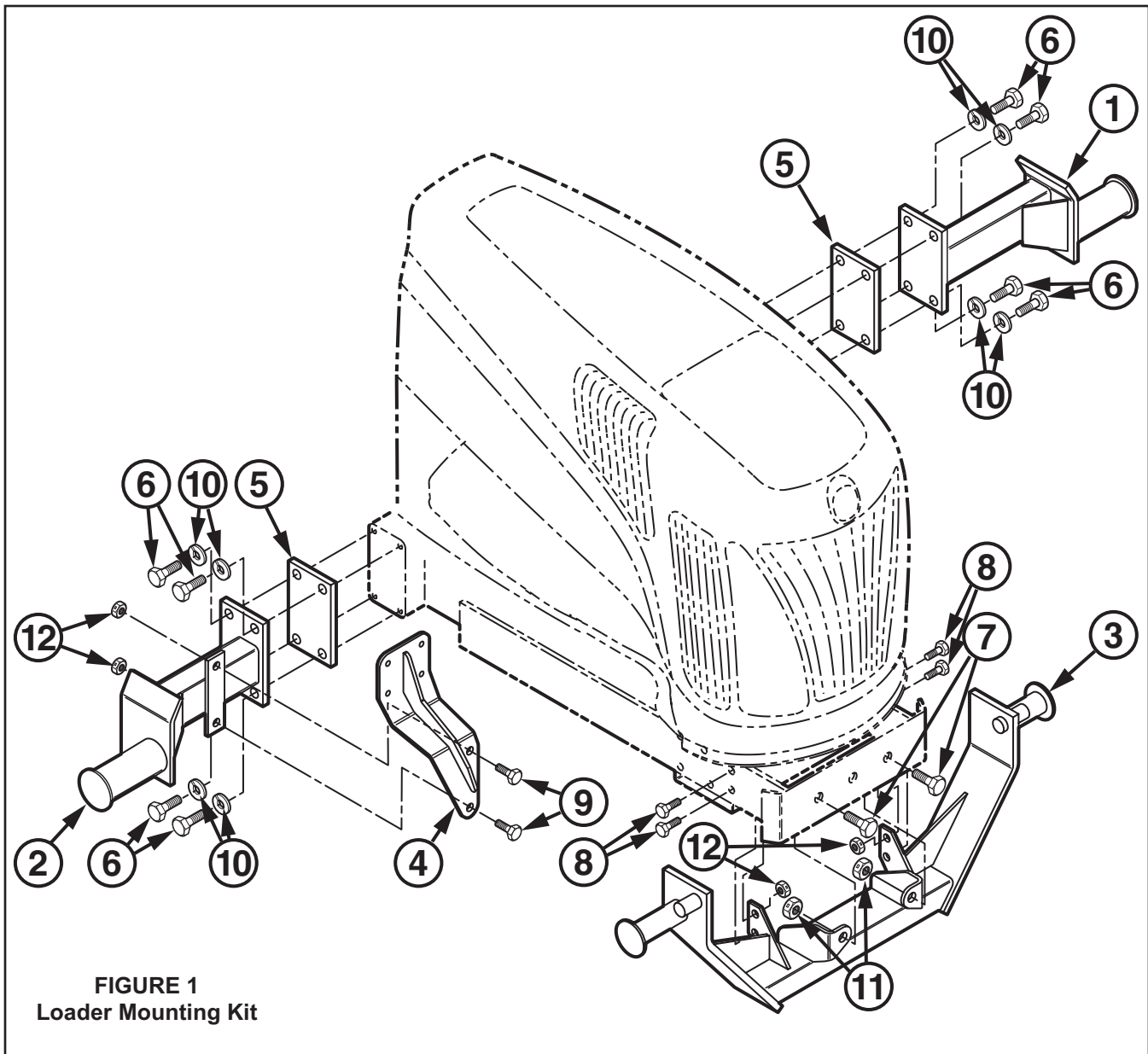
1. Place spacer plate (5) between left mid mounting bracket (1) and left side of tractor clutch housing. Fasten left mid mounting bracket (1) and spacer plate (5) to left side of tractor clutch housing using 16mm x 50mm cap screws (6) and 5/8" lock washers (10).

**NOTE:** If tractor is to be equipped with backhoe or MWX or 914A mid mounted mower, do not use spacer plate (5), as it is replaced by backhoe subframe front mounting bracket or by mower deck mounting plate.

2. Repeat procedure for right side to fasten right mid mounting bracket (2) and spacer plate (5), or backhoe subframe front mounting bracket or mower deck mounting plate, to right side of tractor clutch housing.
3. Slide front mounting bracket (3) up under tractor front frame. Fasten front mounting bracket (3) through side holes of front frame using 1/2 x 1-1/4" cap screws (8) and lock nuts (12). Fasten front mounting bracket (3) through front holes of frame using 5/8 x 1-1/4" cap screws (7) and lock nuts (11).

**NOTE:** If tractor is equipped with New Holland or Case IH loader valve kit 715429026, fasten valve bracket (4) to right mid mounting bracket (2) using 1/2 x 1" cap screws (9) and lock nuts (12). Refer to instructions provided with valve kit to install and plumb loader valve.

4. Refer to instructions provided with valve and plumbing kit or loader hose kit to plumb loader to tractor hydraulics.
5. Tighten all hardware to torques specified in general torque specification table.



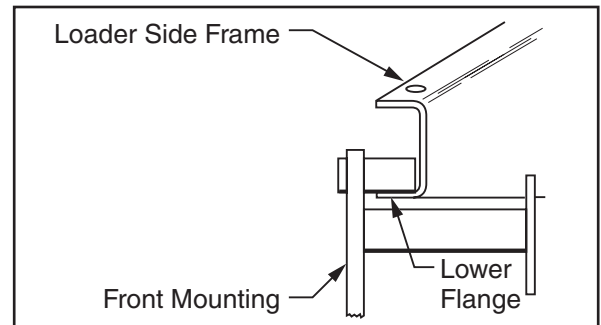
## PARTS LIST – MOUNTING KIT

Item	Part No.	Description	Qty.
1	50250	MOUNTING BRACKET, Mid, Left	1
2	50251	MOUNTING BRACKET, Mid, Right	1
3	52147	MOUNTING BRACKET, Front	1
4	50255	BRACKET, Valve Mounting	1
5	50249	PLATE, Spacer, 1/2" x 3-7/8" x 6-1/2"	2
6	42672-12	SCREW, Cap, 16mm-2 x 50mm Class 8.8	8
7	41838-3	SCREW, Cap, 5/8-11 x 1-1/4	2
8	41838-2	SCREW, Cap, 1/2-13 x 1-1/4"	4
9	41838-47	SCREW, Cap, 1/2-13 x 1"	2
10	41837-7	WASHER, Lock, 5/8"	8
11	41840-7	NUT, Lock, 5/8-11	2
12	41840-5	NUT, Lock, 1/2-13	6

**MOUNTING LOADER**

**CAUTION:** *If mower deck is mounted to tractor, lower mower deck before lowering side frame uprights onto mid mounting brackets. Failure to do so may result in damage to mower deck.*

1. Attach nylon slings around loader front bumper and use an overhead hoist to raise loader and pallet slightly. Remove hardware which attaches loader to pallet and remove pallet from loader.
2. Temporarily remove 5/8 x 4" carriage bolts, washers and lock nuts so loader hinges can be opened. Lower loader to horizontal position and attach nylon slings around loader lift boom arms, close to main boom pivot point. Use overhead hoist to raise loader and position side frame channels over front mounting brackets. Slide loader to rear until side frames are on tubes of mid mounting brackets.





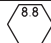
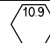
**NOTE:** *Lower flange of side frame channels must be between tube and shaft of front mounting bracket.*

3. Clamp hinges around tubes of mid mounting brackets and fasten hinges shut using 4" carriage bolts, washers, and lock nuts, which are supplied with loader and were removed earlier.
4. Refer to operator's manual and instructions provided with valve and plumbing kit or hose kit to complete loader installation

## GENERAL TORQUE SPECIFICATIONS

USE THE FOLLOWING TORQUES WHEN SPECIAL TORQUES ARE NOT GIVEN

### Standard American and Metric Cap Screws

AMERICAN STANDARD CAP SCREWS										METRIC CAP SCREWS							
SAE Grade	5				8				Metric Class	8.8				10.9			
Typ. Head Markings									Typ. Head Markings								
Cap Screw	TORQUE				TORQUE				Cap Screw	TORQUE				TORQUE			
Size	FT-LBS		N·m		FT-LBS		N·m		Size	FT-LBS		N·m		FT-LBS		N·m	
Inches	MIN	MAX	MIN	MAX	MIN	MAX	MIN	MAX	Millimeters	MIN	MAX	MIN	MAX	MIN	MAX	MIN	MAX
1/4 - 20	6.25	7.25	8.5	10	8.25	9.5	11	13	M6 x 1.00	6	8	8	11	9	11	12	15
1/4 - 28	8	9	11	12	10.5	12	14	16	M8 x 1.25	16	20	21.5	27	23	27	31	36.5
5/16 - 18	14	15	19	20	18.5	20	25	27	M10 x 1.50	29	35	39	47	42	52	57	70
5/16 - 24	17.5	19	23	26	23	25	31	34	M12 x 1.75	52	62	70	84	75	91	102	123
3/8 - 16	26	28	35	38	35	37	47.5	50	M14 x 2.00	85	103	115	139	120	146	163	198
3/8 - 24	31	34	42	46	41	45	55.5	61	M16 x 2.50	130	158	176	214	176	216	238	293
7/16 - 14	41	45	55.5	61	55	60	74.5	81	M18 x 2.50	172	210	233	284	240	294	325	398
7/16 - 20	51	55	69	74.5	68	75	92	102	M20 x 2.50	247	301	335	408	343	426	465	577
1/2 - 13	65	72	88	97.5	86	96	116	130	M22 x 2.50	332	404	450	547	472	576	639	780
1/2 - 20	76	84	103	114	102	112	138	152	M24 x 3.00	423	517	573	700	599	732	812	992
9/16 - 12	95	105	129	142	127	140	172	190	M27 x 3.00	637	779	863	1055	898	1098	1217	1488
9/16 - 18	111	123	150	167	148	164	200	222	M30 x 3.00	872	1066	1181	1444	1224	1496	1658	2027
5/8 - 11	126	139	171	188	168	185	228	251	<p><b>NOTE:</b> These values apply to fasteners as received from supplier, dry or when lubricated with normal engine oil. They do not apply if special graphite or molysulphide greases or other extreme lubricants are used.</p>								
5/8 - 18	152	168	206	228	203	224	275	304									
3/4 - 10	238	262	322	355	318	350	431	474									
3/4 - 16	274	305	371	409	365	402	495	544									
7/8 - 9	350	386	474	523	466	515	631	698									
7/8 - 14	407	448	551	607	543	597	736	809									
1 - 8	537	592	728	802	716	790	970	1070									
1 - 14	670	740	908	1003	894	987	1211	1337									

# INSTALLATION INSTRUCTIONS