

Keep With Operator's Manual

MOUNT KIT 2409 LOADER MASSEY FERGUSON TRACTORS

MODEL	2WD	4WD	LESS CAB	WITH CAB
MF431	X		X	

Mounting brackets can be installed using tools ordinarily available. Shut off tractor engine and engage tractor brakes during installation.

After loader is installed, check to be sure front tires clear loader and mounting brackets in all possible positions.

NOTE: *Leave all attaching hardware loose until mounting brackets are completely assembled to facilitate assembly and proper alignment. Tighten all hardware to torque specifications in loader operators manual.*

INSTALLING MOUNTING BRACKETS (Figure 1)

1. Remove bolts securing tractor front weight bracket to tractor front casting. Reattach weight bracket with front mounting bracket (1) mounted over front weight bracket using 5/8 x 2" cap screws (15) and 5/8" lock washers (18).
2. Install left midmounting bracket (4) to tractor transmission casting using 3/4" spacer (5), 5/8" flat washer (19), 5/8" lock washer (18) and 5/8 x 2-1/2" cap screw (8) in upper rear hole and 5/8" flat washer (19), 5/8" lock washer (18) and 5/8 x 1-1/2" cap screw (9) in upper front hole. Fasten lower holes in left midmounting bracket using .69" spacers (6), 5/8 lock washers (18) and 5/8 x 2-1/4" cap screws (16).
3. Install right midmounting bracket (3) to tractor casting using 3/4" spacer (5), 5/8" flat washer (19), 5/8" lock washer (18) and 5/8 x 2-3/4" cap screw (14) in upper rear hole and 5/8" flat washer (19), 5/8" lock washer (18) and 5/8 x 1-3/4" cap screw (17) in upper front hole. Fasten lower holes in right midmounting bracket using 2.69" spacers (7), 5/8" lock washers (18) and 5/8 x 4-1/4" cap screws (21).
4. Remove inspection cover plate on underside of clutch housing.
5. Fasten cross tie (2) to right and left mid mounting brackets (3 & 4) using 5/8 x 2" cap screws (15) and 5/8" lock nuts (20).
6. Fasten cross tie to bottom of tractor using 5/8" flat washers (19), 5/8" lock washers (18) and 5/8 x 1-3/4" cap screws (17).

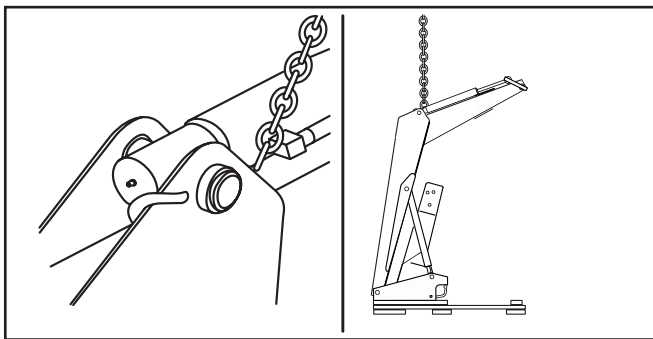
2-7414

PARTS LIST - MOUNTING KIT

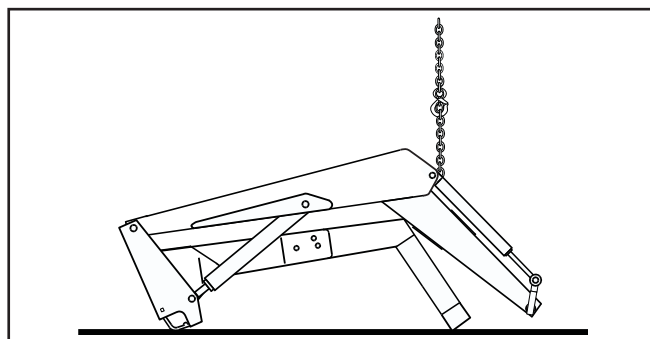
ITEM	PART NO.	DESCRIPTION	QTY.
1	52371	BRACKET, Front Mounting	1
2	51864	CROSS TIE	1
3	51861	BRACKET, Midmounting, Right	1
4	51868	BRACKET, Midmounting, Left	1
5	42787-1	SPACER TUBE .75"	2
6	42787-7	SPACER TUBE .69"	2
7	42787-6	SPACER TUBE 2.69"	2
8	41838-64	SCREW, Cap, 5/8-11 x 2-1/2	1
9	41838-29	SCREW, Cap, 5/8-11 x 1-1/2	1
10	41838-7	SCREW, Cap, 3/4-10 x 2-1/2	4
11	41840-8	NUT, Lock, 3/4-10	4
12	52374	YOKE	1
13	39240	DECAL, Do not tow ...	2
14	41838-79	SCREW, Cap, 5/8-11 x 2-3/4	1
15	41838-27	SCREW, Cap, 5/8-11 x 2	10
16	41838-14	SCREW, Cap, 5/8-11 x 2-1/4	2
17	41838-32	SCREW, Cap, 5/8-11 x 1-3/4	5
18	41837-7	WASHER, Lock, 5/8	18
19	42502-12	WASHER, Flat, 5/8	8
20	41840-7	NUT, Lock, 5/8-11	4
21	41838-78	SCREW, Cap, 5/8-11 x 4-1/4	2

INSTALLING LOADER TO MOUNTING BRACKETS

1. Using overhead hoist to support loader remove hardware securing loader to pallet. Lift loader and remove pallet.



2. Using overhead hoist, lower loader from vertical shipping position to horizontal position leaving enough room to install yoke (scraps of cardboard may be used to protect paint). Install yoke assembly (12) using 3/4 x 2-1/2" cap screws (8) and 3/4" lock nuts (11). Lower loader completely to the ground.



NOTE: Hardware connecting yoke to loader side-frames should be snug but do not torque completely. After loader has been mounted to tractor and aligned with midmounting brackets and front mounting brackets, torque hardware to 239-262 ft. lb.

3. Install hose or valve kit to tractor and loader. Refer to assembly manual provided for installation instruc-

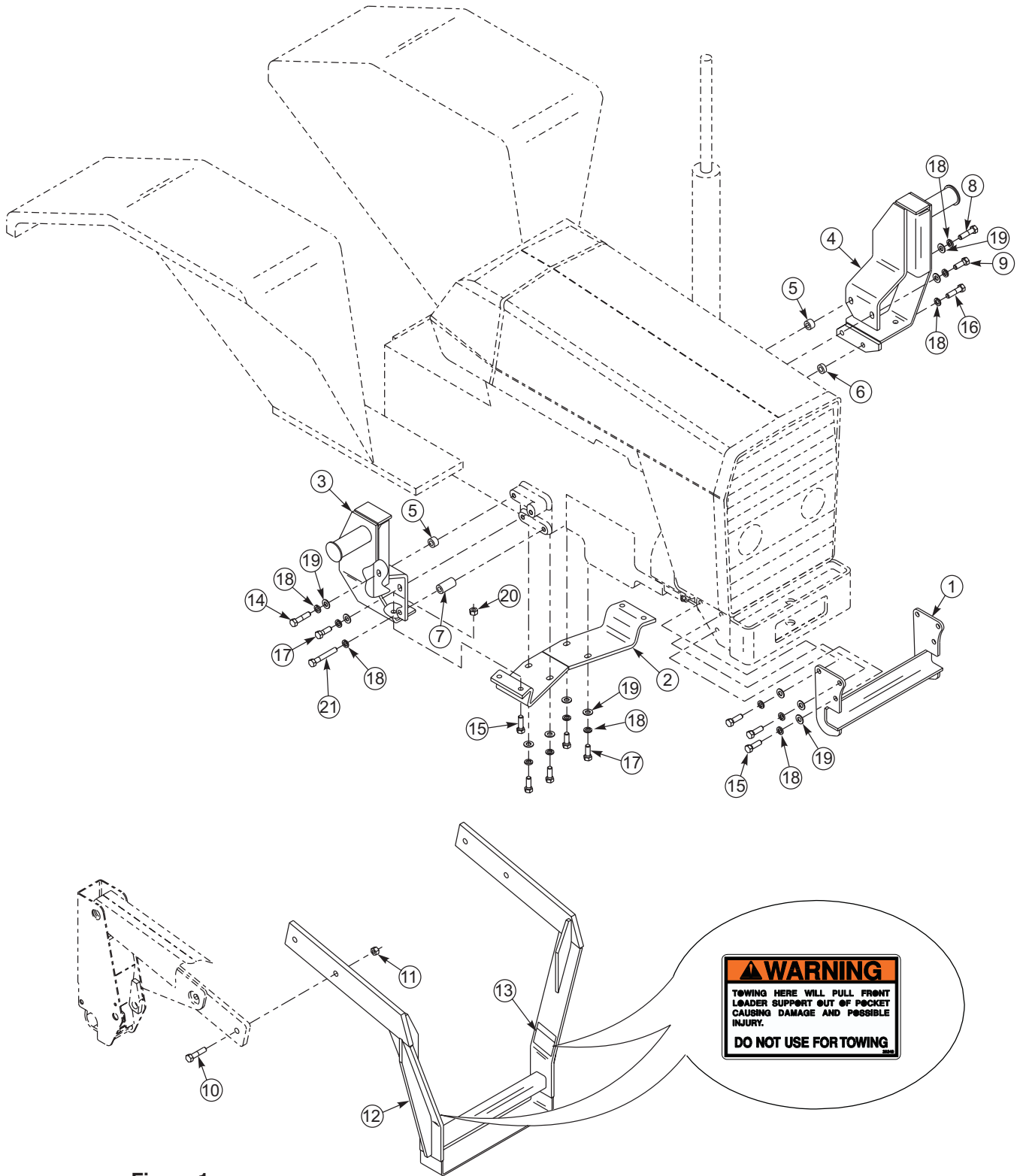
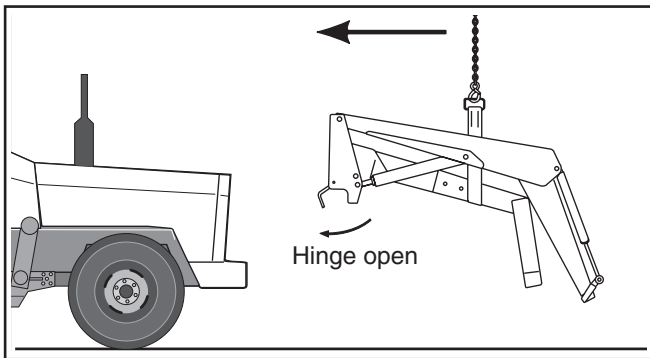
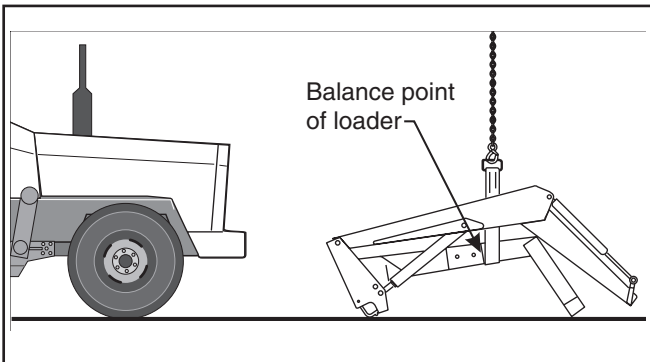


Figure 1
Mount Kit Assembly

2-7414

INSTALLING LOADER TO MOUNTING BRACKETS (Continued)

4. Reposition overhead hoist by looping nylon strap around yoke near loader side frames at balance point of loader.
5. Using overhead hoist, raise loader until side frame uprights will clear front tires. Remove locknut and washer from loader hinge and swing each hinge open.



6. Position loader so hinges hook over mid mounting tubes and yoke tube fits inside front mounting bracket.
7. Clamp hinges to midmounting tubes with 3/4" flat washers and 3/4" flex-lock nuts (supplied with loader).

IMPORTANT: Be sure to use flex-lock nuts to clamp hinge. Tighten flex-lock nuts against hinge securely, but not to more than 125 ft.-lb. torque.

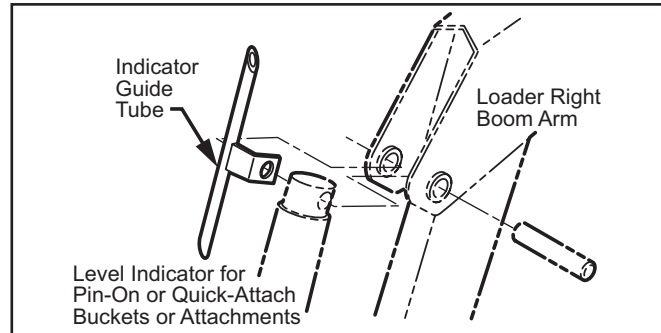
8. Adjust front wheel tread settings or steering stops, if necessary to prevent interference between tires and loader. Refer to tractor operator's manual for adjustment procedures.

INSTALLING BUCKET

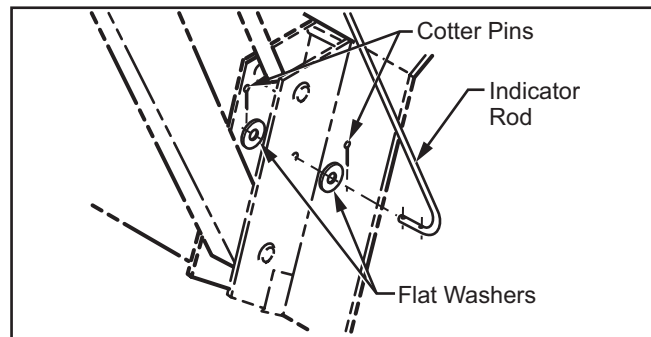
Refer to instruction sheet for instructions on installing bucket.

INSTALLING BUCKET LEVEL INDICATOR

1. Attach indicator guide tube to cylinder pin. Guide tube is positioned to outside of boom.



2. Slide bucket level indicator rod through guide tube. Attach other end of rod with 1/8 x 1" cotter pins and 3/8" flat washers.



3. Locate tractor and loader on level surface. With bottom of bucket resting on surface, cut off excess rod flush with end of guide tube or paint exposed rod a contrasting color.

INSTALLATION INSTRUCTIONS