

Keep with Operator's Manual

HOSE KIT 2406S LOADER CASE IH & NEW HOLLAND TRACTORS

CASE IH MODEL	NEW HOLLAND MODEL	FWA	ROPS
	TC18 (S/N UD33666 & Higher)	X	X
DX21, DX23	TC21, TC21D (S/N UF33357 & Higher), TC21DA, TC23DA	X	X
DX24, DX26	TC24D, TC24DA, TC26DA	X	X

GENERAL INFORMATION

Hose kit can be installed on tractor using tools ordinarily available. Shut off engine and engage brakes during installation.

Hose kit is to be used with a Case IH or New Holland valve kit with oil lines to female quick couplers at front of tractor and Alamo SMC or Rhino 2406S front-end loader.



WARNING: Escaping hydraulic fluid under pressure can penetrate the skin causing serious injury.

- DO NOT use your hand to check for leaks. Use a piece of cardboard or paper to search for leaks.
- Stop engine and relieve pressure before connecting or disconnecting lines.
- Tighten all connections before starting engine or pressurizing lines.

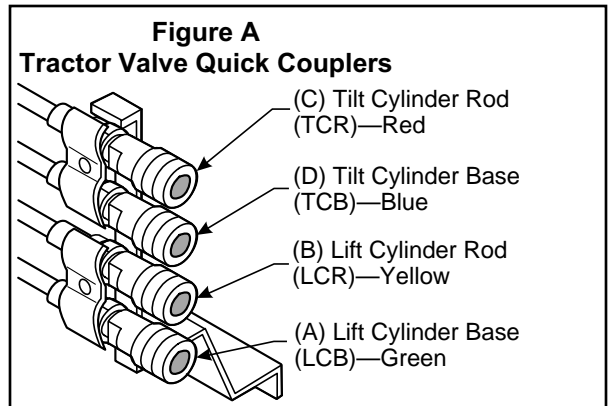
If any fluid is injected into the skin, obtain medical attention immediately or gangrene may result.

PLUMBING LOADER TO TRACTOR VALVE (Figure 1)

1. Install 1/4 x 52" hoses (1) onto boom oil line tubes. Install and tighten hoses one at a time from the bottom up to ease hose installation. Mark opposite end of each hose to identify hose as tilt cylinder rod (TCR), tilt cylinder base (TCB), lift cylinder rod (LCR), or lift cylinder base (LCB) hose. (See Figure 1.)
2. Slide one nylon sleeve (2) over lower two hoses (1). Slide remaining nylon sleeve (2) over upper two hoses (1). Install long 90° elbow fittings (4) into ends of hoses (1) to oil lines to base ports of lift and tilt cylinders (LCB & TCB). Install shorter 90° elbow

fittings (3) into ends of hoses (1) to oil lines to rod ports of lift and tilt cylinders (LCR & TCR).

3. Install spiral identification bands (5) onto elbow fittings (3 & 4) on free ends of loader oil line hoses (1), (see Figure 1 & Figure A), and install male quick couplers (6) onto 90° elbow fittings (3 & 4). Connect male quick couplers (6) to female quick couplers of tractor valve. Wrap tarp strap (7) around hoses (1) and hook it onto itself. Secure

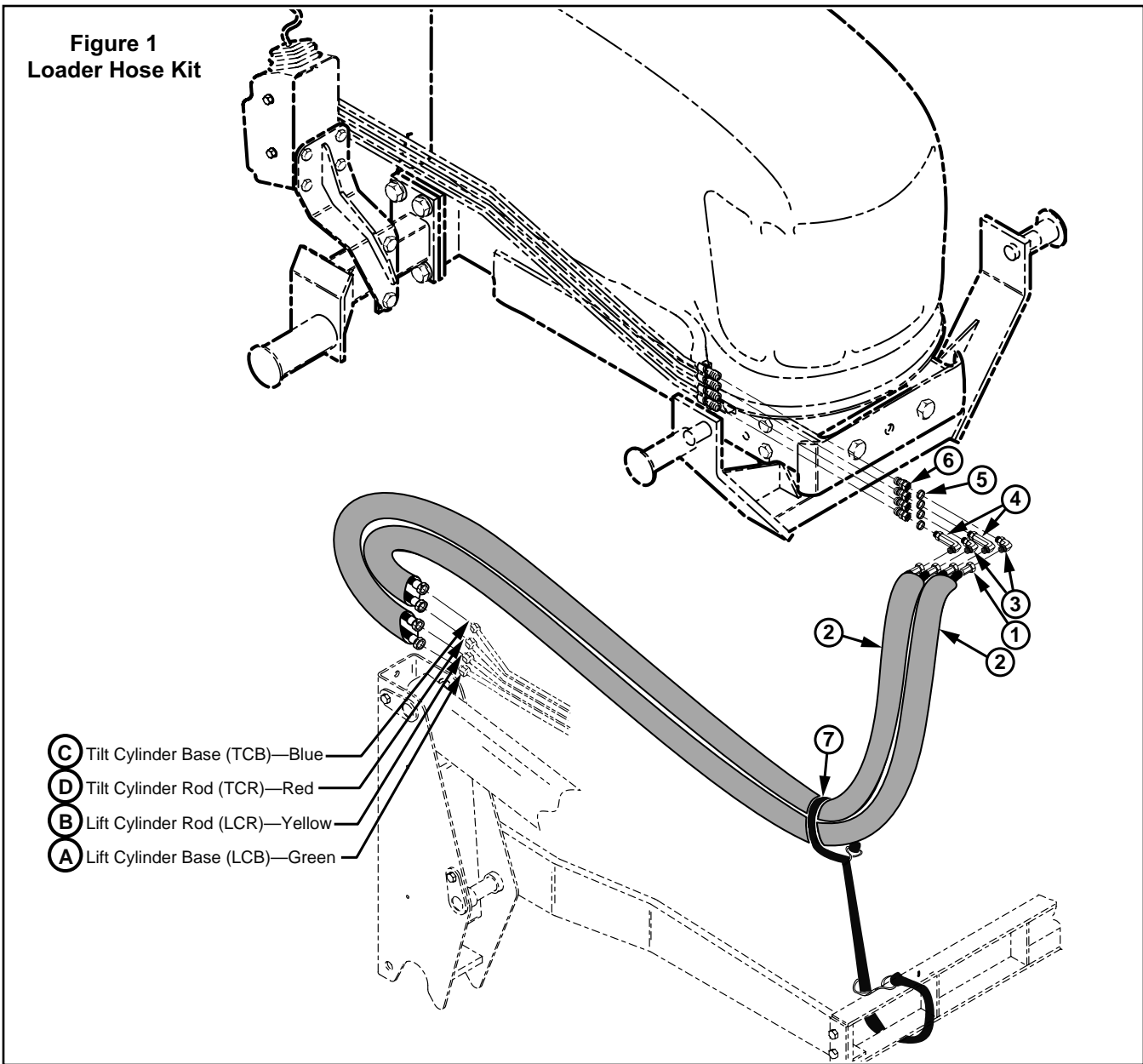


other end of tarp strap to loader, using tarp strap to secure hoses away from tractor tires or other moving parts.

4. After all plumbing has been completed, start tractor engine and slowly cycle lift and bucket cylinders several times to purge any air from the hydraulic system. Then retract cylinders and stop engine. Add additional hydraulic fluid as specified in tractor operator's manual to bring oil level up to full.

NOTE: When cycling the loader, operate loader according to decal on tractor remote valve. If direction of control lever is wrong, correct related quick coupler connections and switch spiral identification bands accordingly.

**Figure 1
Loader Hose Kit**



PARTS LIST – HOSE KIT

Item	Part No.	Description	Qty.
1	32837-10	HOSE, 1/4 x 54", 9/16-18 JIC Female Swivel x 9/16-18 JIC Female Swivel	4
2	34853-76	SLEEVE, Hose, Nylon, 1-1/4 x 2" x 54"	2
3	32845-1	FITTING, Elbow, 90°, 9/16-18 JIC Male x 9/16-18 O-Ring Male	2
4	42959-3	FITTING, Elbow, 90°, Long, 9/16-18 JIC Male x 9/16-18 O-Ring Male	2
	36240-5	SPIRAL BAND, Blue 5/8"	2
	36240-6	SPIRAL BAND, Red, 5/8"	2
	36240-7	SPIRAL BAND, Yellow, 5/8"	2
	36240-8	SPIRAL BAND, Green, 5/8"	2
6	6137-11	COUPLER, Quick, Male	4
7	7438-1	TARP STRAP	1

INSTALLATION INSTRUCTIONS