

Keep with Operator's Manual
-----------------------------

## LOADER MOUNTING KIT 2405 LOADER NEW HOLLAND & CASE IH TRACTORS

CASE IH MODEL	NEW HOLLAND MODEL	2WD	FWA	ROPS	CAB
DX18E	TZ18DA		X	X	
DX24E	TZ24DA		X	X	

### TRACTOR AND MOUNTING KIT GENERAL INFORMATION

Mounting kit can be installed on tractor using tools ordinarily available. Shut off engine and engage brakes during installation.

This mounting kit is not compatible with a front bumper or weight bracket. If tractor is equipped with a front bumper or weight bracket, remove it before installing loader mounting kit.

**NOTE:** *Install all attaching hardware loosely (unless noted otherwise) until mounting kit is completely assembled to facilitate assembly and proper alignment. Tighten all hardware to torques specified in general torque specifications table.*

### INSTALLING LOADER MOUNTING BRACKETS (Figure 1)

1. Fasten front mounting bracket (1) to front of tractor frame using 5/8 x 1-1/2" cap screws (6) and lock nuts (8).
2. Attach left mid mounting bracket (2) to left side of tractor frame using 1/2 x 1-1/2" cap screws (7), and lock nuts (9). Repeat procedure to attach right mid mounting bracket (3) to right side of tractor.
3. Tighten all hardware to torques specified in general torque specifications table.

### INSTALLING LOADER ONTO TRACTOR AND MOUNTING BRACKETS



**WARNING:** *To avoid injury during installation of quick-attach loader, do not permit bystanders within ten feet of loader.*

1. Using overhead hoist to support loader, remove hardware securing loader to pallet. Lift loader and remove pallet.

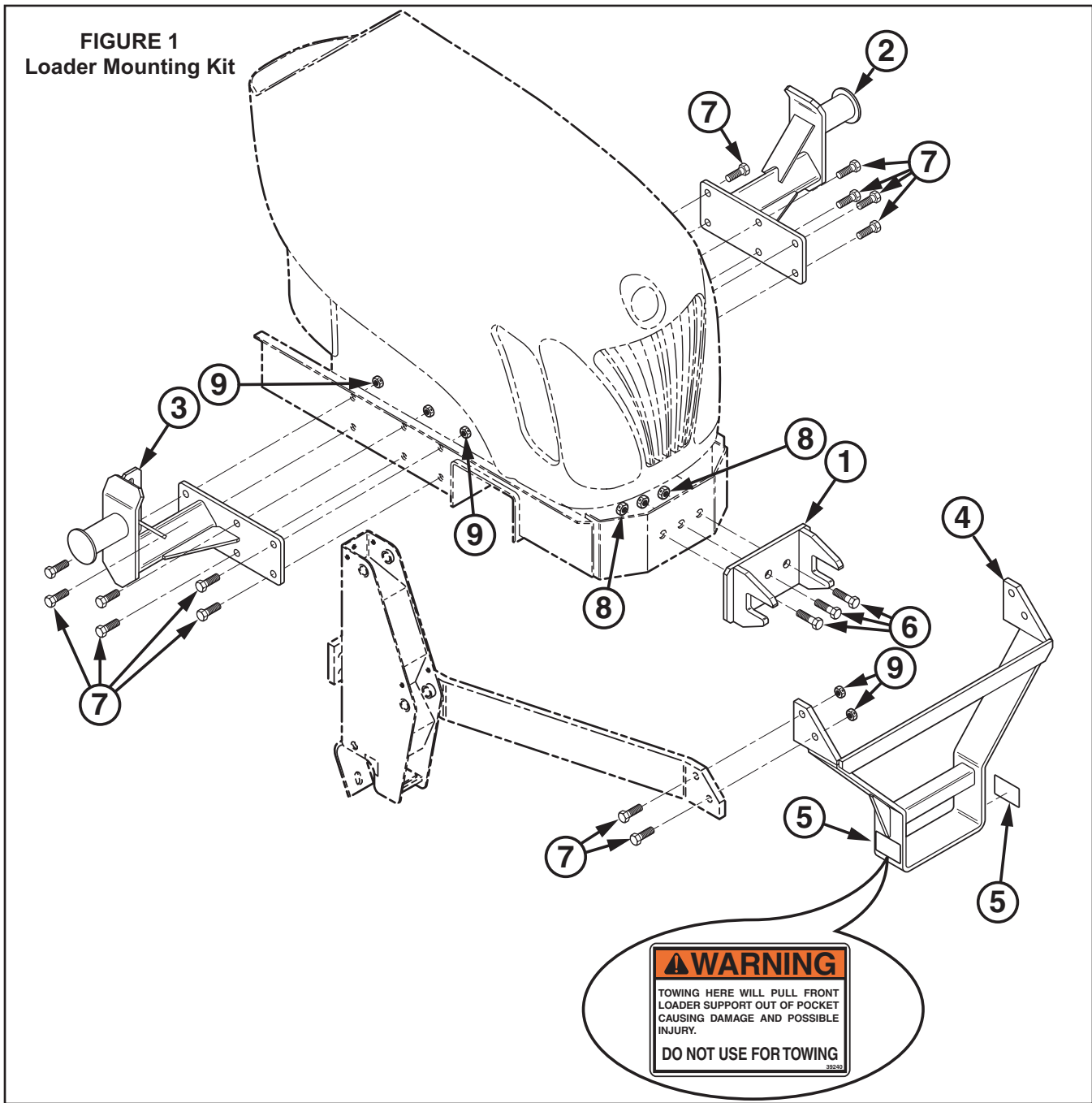


**CAUTION:** *Do not damage grease fitting on end of cylinder. Be sure chain does not pinch lift cylinder hose.*

2. Using overhead hoist, lower loader from vertical shipping position to horizontal position, leaving enough room to install yoke (use scraps of cardboard to protect paint). Fasten yoke bracket (4) to loader side frames using 1/2 x 1-1/2" cap screws (7) and lock nuts (9). Lower loader completely to ground.

**NOTE:** *Tighten hardware connecting yoke to loader side frames snug, but do not torque completely. Torque hardware to torques specified in general torque specifications table only after loader has been mounted on tractor and aligned with mid mounting brackets and front mounting bracket.*

3. Install valve and plumbing kit to tractor and loader. Refer to assembly instructions provided with valve kit for installation.
4. Position tractor close enough so plumbing can be connected to tractor. Route hoses loosely to allow maximum reach. Using nylon straps, reposition overhead hoist to loader boom arms near pivot point of side frames.
5. Remove 1/2 x 1-3/4" cap screws, washers, and lock nuts so hinges can be opened. Hinges should remain open. If not, tighten carriage bolt until slight resistance can be felt. Do not overtighten. To ease mounting and dismounting of loader, grease carriage bolt head. Lower loader to a horizontal position and attach nylon slings around loader lift boom arms.
6. Use overhead hoist to raise loader and position loader side frames over front mounting bracket. Slide loader to rear until side frame uprights are on mid mounting bracket tubes.
7. Clamp hinges around tubes of mid mounting bracket. Fasten closed with 1/2 x 1-3/4" cap screws, flat washers, lock washers, and nuts (supplied with loader).
8. Refer to loader operator's manual and plumbing kit instructions to complete loader installation and for location of decals.



**PARTS LIST – MOUNTING KIT**

Item	Part No.	Description	Qty.
1	52518	MOUNTING BRACKET, Front	1
2	52518	MOUNTING BRACKET, Mid, Left	1
3	52519	MOUNTING BRACKET, Mid, Right	1
4	51054	YOKE, Loader Front Mounting, With Decals	1
5	39240	DECAL, WARNING, Do Not Tow	2
6	41838-29	SCREW, Cap, 5/8-11 x 1-1/2"	3
7	41838-33	SCREW, Cap, 1/2-13 x 1-1/2"	16
8	41840-7	NUT, Lock, 5/8-11	3
9	41840-5	NUT, Lock, 1/2-13	16

# GENERAL TORQUE SPECIFICATIONS

USE THE FOLLOWING TORQUES WHEN SPECIAL TORQUES ARE NOT GIVEN

## Standard American and Metric Cap Screws

AMERICAN STANDARD CAP SCREWS									METRIC CAP SCREWS								
SAE Grade	5				8				Metric Class	8.8				10.9			
Typ. Head Markings									Typ. Head Markings								
Cap Screw	TORQUE				TORQUE				Cap Screw	TORQUE				TORQUE			
Size	FT-LBS		N-m		FT-LBS		N-m		Size	FT-LBS		N-m		FT-LBS		N-m	
Inches	MIN	MAX	MIN	MAX	MIN	MAX	MIN	MAX	Millimeters	MIN	MAX	MIN	MAX	MIN	MAX	MIN	MAX
1/4 - 20	6.25	7.25	8.5	10	8.25	9.5	11	13	M6 x 1.00	6	8	8	11	9	11	12	15
1/4 - 28	8	9	11	12	10.5	12	14	16	M8 x 1.25	16	20	21.5	27	23	27	31	36.5
5/16 - 18	14	15	19	20	18.5	20	25	27	M10 x 1.50	29	35	39	47	42	52	57	70
5/16 - 24	17.5	19	23	26	23	25	31	34	M12 x 1.75	52	62	70	84	75	91	102	123
3/8 - 16	26	28	35	38	35	37	47.5	50	M14 x 2.00	85	103	115	139	120	146	163	198
3/8 - 24	31	34	42	46	41	45	55.5	61	M16 x 2.50	130	158	176	214	176	216	238	293
7/16 - 14	41	45	55.5	61	55	60	74.5	81	M18 x 2.50	172	210	233	284	240	294	325	398
7/16 - 20	51	55	69	74.5	68	75	92	102	M20 x 2.50	247	301	335	408	343	426	465	577
1/2 - 13	65	72	88	97.5	86	96	116	130	M22 x 2.50	332	404	450	547	472	576	639	780
1/2 - 20	76	84	103	114	102	112	138	152	M24 x 3.00	423	517	573	700	599	732	812	992
9/16 - 12	95	105	129	142	127	140	172	190	M27 x 3.00	637	779	863	1055	898	1098	1217	1488
9/16 - 18	111	123	150	167	148	164	200	222	M30 x 3.00	872	1066	1181	1444	1224	1496	1658	2027
5/8 - 11	126	139	171	188	168	185	228	251	<p><b>NOTE:</b> These values apply to fasteners as received from supplier, dry or when lubricated with normal engine oil. They do not apply if special graphite or moly sulphide greases or other extreme lubricants are used.</p>								
5/8 - 18	152	168	206	228	203	224	275	304									
3/4 - 10	238	262	322	355	318	350	431	474									
3/4 - 16	274	305	371	409	365	402	495	544									
7/8 - 9	350	386	474	523	466	515	631	698									
7/8 - 14	407	448	551	607	543	597	736	809									
1 - 8	537	592	728	802	716	790	970	1070									
1 - 14	670	740	908	1003	894	987	1211	1337									

# **INSTALLATION INSTRUCTIONS**