

Keep with Operator's Manual
-----------------------------

## GRILLE GUARD MASSEY FERGUSON 431 TRACTOR

### TRACTOR AND GRILLE GUARD GENERAL INFORMATION

Grille guard can be installed on tractor using tools ordinarily available, including standard wrenches and a torque wrench.

Grille guard is designed to be compatible with front weights and can be used on tractors with or without front weight bracket and weights.

Grille guard is designed to be compatible with Alamo SMC or Rhino 2409 loader. If loader is to be installed, install grille guard while installing front mounting brackets.

References to left and right used in these instructions refer to position when seated in operating position on tractor. Shut off engine and engage brakes during installation.

### INSTALLING GRILLE GUARD (Figure 1)

**NOTE:** *Install all attaching hardware loosely (unless noted otherwise) until grille guard is completely assembled to facilitate assembly and proper alignment.*

1. Support tractor front weight bracket and remove hardware which secures it to tractor frame. Continue to support weight bracket in place while attaching mounting brackets (2 & 3) and spacers (4), which is explained in following instructions.

**NOTE:** *If tractor is to be equipped with a front end loader, do not use flat spacers (4). (Attaching plates of loader front mounting bracket take place of flat spacers.) Refer to installation instructions provided with loader mounting kit.*

2. Place flat spacer (4) between left mounting bracket (2) and left side of tractor front frame and fasten left mounting bracket (2) and spacer (4) to tractor using 5/8 x 2-1/2" cap screws (6) and lock washers (8). Repeat procedure to fasten right mounting bracket (3), spacer (4), and weight bracket to right side of tractor frame.

**NOTE:** *To ease installation, begin by aligning rear holes each side and installing one 5/8 x 2-1/2" cap screw and lock washer (8) in rear holes each side, then rotate weight bracket, with spacers (4) and brackets (2 & 3) upward together to align front holes.*

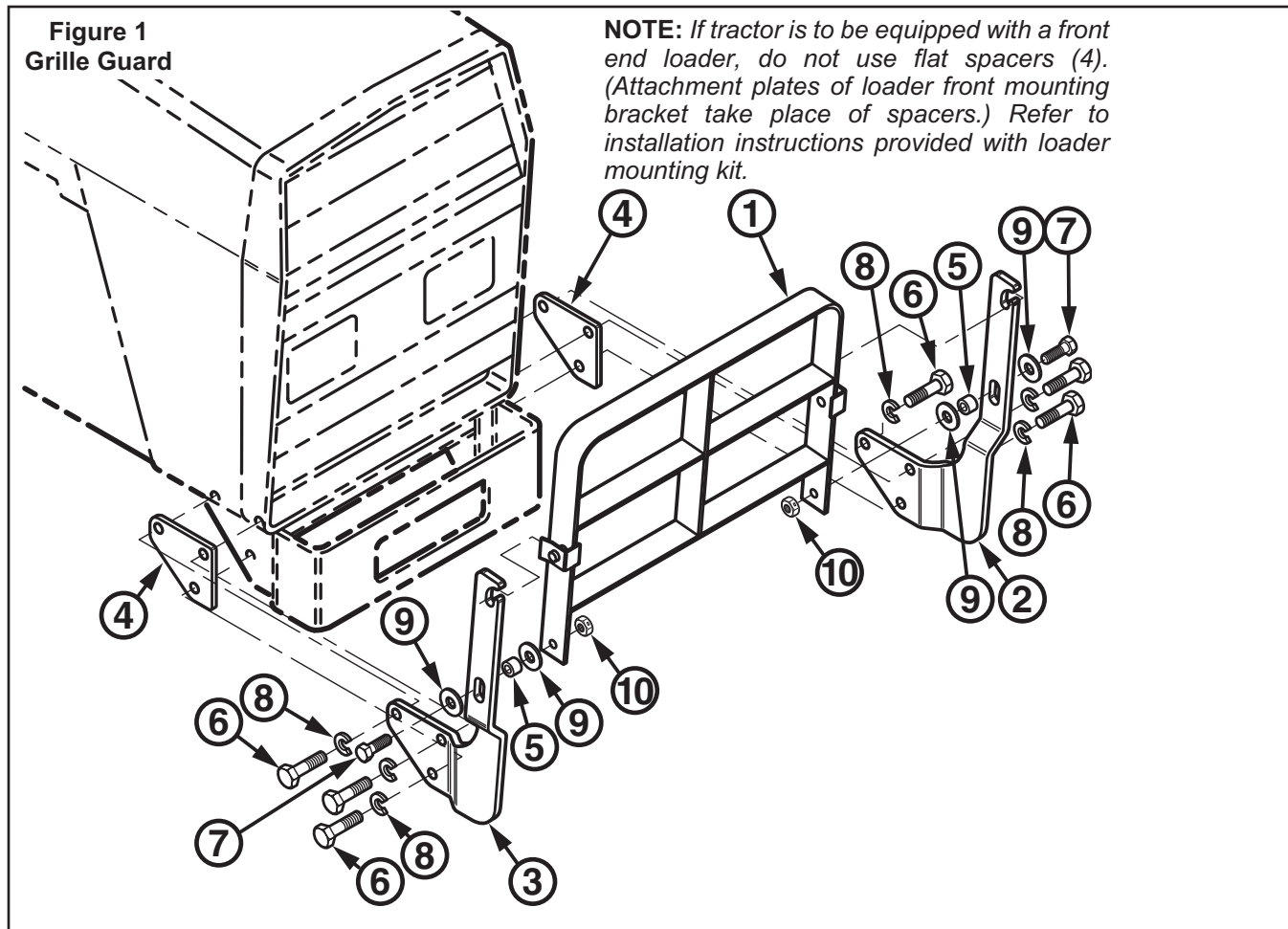
3. Place tube spacers (5) into bottom slotted holes of grille guard mounting brackets (2 & 3). Place one 1/2" flat washer (9) to each end of each tube spacer (5). Fasten grille guard (1) to mounting brackets (2 & 3) using 1/2 x 1-1/2" cap screws (7), through washers (9) and spacers (5), and lock nuts (10).

Tighten 5/8-11 Grade 5 hardware to 126-139 ft.·lbs. (171-188 Nm) of torque; tighten 1/2-13 Grade 5 hardware to 65-72 ft.·lbs. (88-97.5 Nm) of torque.

### ACCESSING TRACTOR BATTERY / HEADLIGHTS

Open grille guard before opening tractor front grille screen to access tractor battery or headlights. Lift grille guard to free catch-pins from upper slots, then tip top of grille guard forward, allowing grille guard to rotate forward and down, away from front of tractor.

**IMPORTANT:** *Before operating tractor or loader, secure grille guard in upright position. Rotate grille guard upward, lift grille guard and slide catch-pins into upper slots, then slide grille guard down into slots.*

**PARTS LIST – GRILLE GUARD**

Item	Part No.	Description	Qty.
1	52699	GRILLE GUARD	1
2	52698-1	BRACKET, Mounting, Grille Guard, Left	1
3	52698-2	BRACKET, Mounting, Grille Guard, Right	1
4	52696	SPACER, Flat, Triangular, 5-7/16 x 4-11/16 x 3/8 Thick	2
5	47427-1	SPACER, Tube, 1/2" I.D. x 3/4" O.D. x 9/16" Long	2
6	41838-64	SCREW, Cap, 5/8-11 x 2-1/2", Grade 5	6
7	41838-33	SCREW, Cap, 1/2-13 x 1-1/2", Grade 5	2
8	41837-7	WASHER, Lock, 5/8"	6
9	42502-30	WASHER, Flat, 1/2" W-Std.	4
10	41840-5	NUT, Lock, 1/2-13, Type N	2

# INSTALLATION INSTRUCTIONS