

Keep with Operator's Manual

GRILLE GUARD KIT FOR CASE IH AND NEW HOLLAND CLASS I TRACTORS

CASE IH MODELS	NEW HOLLAND MODELS
DX21, DX23, DX24, DX26	TC21DA, TC23DA, TC24DA, TC26DA

TRACTOR & GRILLE GUARD GENERAL INFORMATION

Grille guard can be installed on tractor using tools ordinarily available, including standard wrenches and a torque wrench. Shut off engine and engage brakes during installation.

Grille guard is designed to be compatible with Alamo SMC 2406TL mid mounted loader, New Holland 12LA, and Case IH LX112 loaders on all Case IH and New Holland class I tractors. Grille guard is also compatible with New Holland 914A and Case IH MW54S, MW60S, and MW60R 54" and 60" mid mounted mowers. Grille guard is also compatible with front weights.

Grille guard is not compatible with New Holland 702D front blade or Case IH BMX106H front blade.

INSTALLING GRILLE GUARD (Figure 1)

NOTE: Install all attaching hardware loose until grille guard is completely assembled to facilitate assembly and proper alignment. Unless otherwise specified, tighten all hardware to torques specified in general torque specifications table when assembly is complete.

- Place one spacer plate (7) between grille guard mounting plate (6) and each side of tractor front frame and fasten grille guard mounting plates (6) and spacer plates (7) to sides of tractor front frame using 1/2 x 1-3/4" cap screws (10) and lock nuts (11).
- Position bottom of grille guard bumper (1) between mounting plates (6) and fasten grille guard bumper (1) to mounting plates (6) using 5/8 x 1-3/4" carriage bolts (8) and 5/8" lock nuts (9).

NOTE: Install 5/8 x 1-3/4" carriage bolts (8) with heads to center of grille guard, outward through square holes of bumper (1) as shown. Install 5/8" top lock nuts to outside of mounting plates, with locking nylon insert to the outside, as shown.

Tighten 5/8" lock nuts (9) onto carriage bolts (8) to no more than 139 ft.·lbs. torque, then loosen only enough to allow grille guard bumper (1) to pivot in mounting plates (6).

- To enhance grille guard latch operation, apply a light coating of grease to inside of slotted holes for latch bar (2) in upright plates of grille guard bumper (1) and apply a light coating of grease to top surface of mounting plates (6) where latch bar (2) will be in contact as bumper is swung into or out of latched position.
- Swing grille guard bumper (1) upward into latched position.
- Tighten 1/2 x 1-3/4" cap screws (10) and lock nuts (11) to 67 ft.·lbs. torque.

NOTE: Lift latch bar against spring pressure to release latch. Lower grille guard before opening tractor hood.

IMPORTANT: Swing grille guard back up and latch into place before operating tractor or loader.

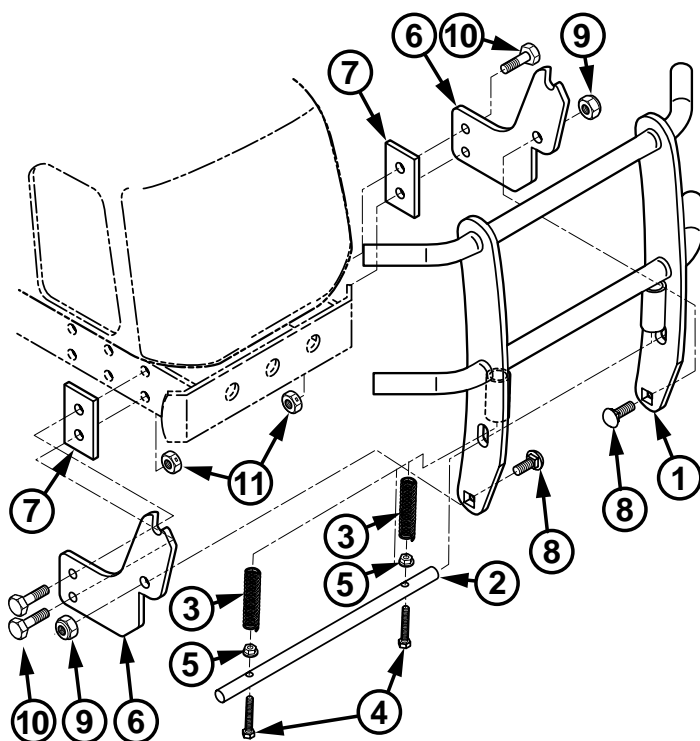
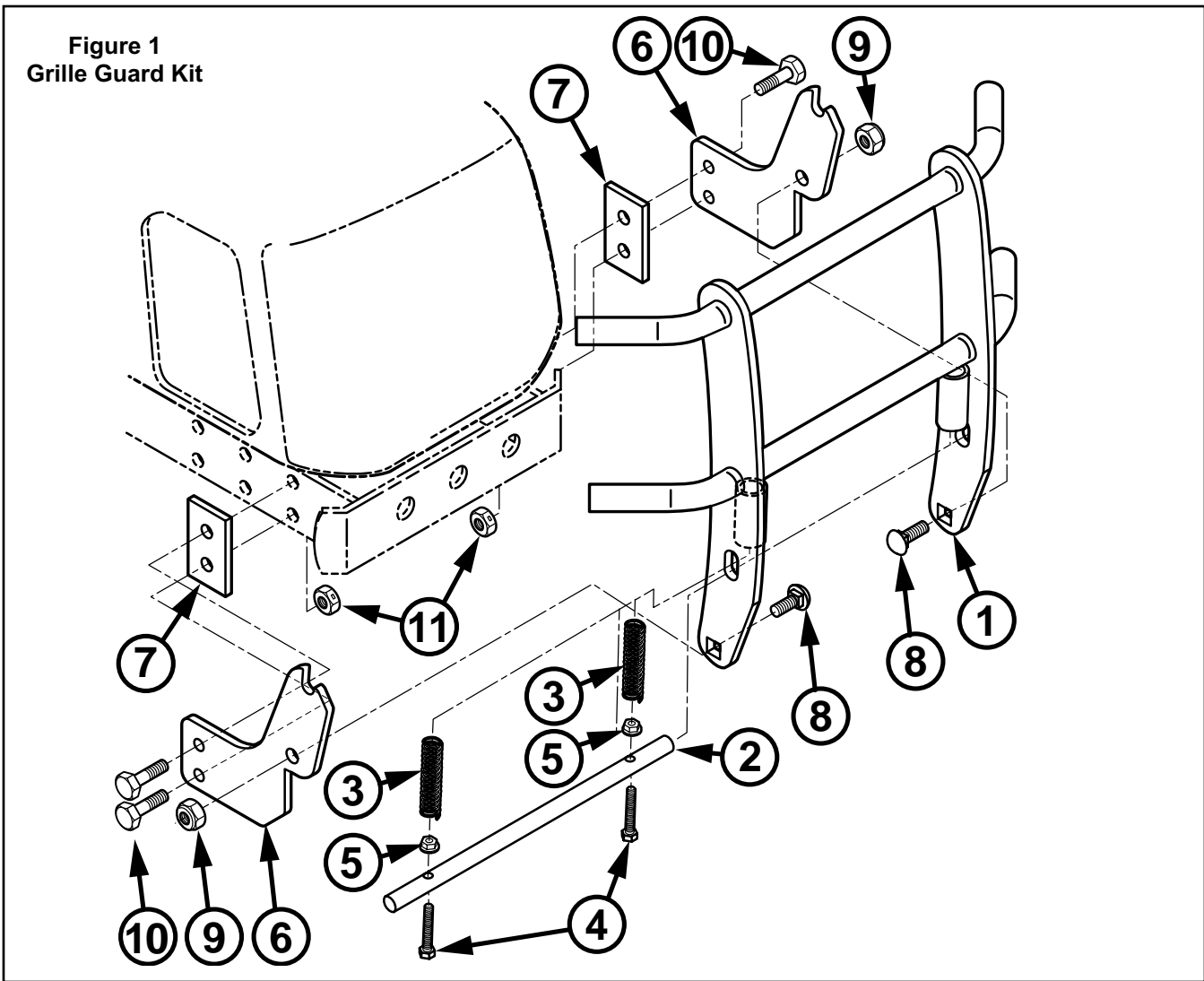


Figure 1
Grille Guard Kit



PARTS LIST – GRILLE GUARD KIT

Item	Part No.	Description	Qty.
1	52061	GRILLE GUARD, Bumper	1
*2	52065	BAR, Latch, Grille Guard	1
*3	6043-27	SPRING, Compression, .73 O.D. x 3.69" Long, Grille Guard Latch	2
*4	41838-89	SCREW, Cap, 5/16-18 x 2"	2
*5	42848-3	NUT, Flange Head, 5/16-18 Full Thread	2
6	52639	PLATE, Mounting, Grille Guard	2
7	50517	PLATE, Spacer, Grille Guard, 5/16"	2
8	41839-13	BOLT, Carriage, 5/8-11 x 1-3/4"	2
9	48338-1	NUT, Lock, 5/8-11, Nylon Insert (top lock)	2
10	41838-12	SCREW, Cap, 1/2-13 x 1-3/4" Grade 5	4
11	42840-5	NUT, Lock, 1/2-13, Type N (center lock)	4

* Items preassembled with Grille Guard Bumper (1)

INSTALLATION INSTRUCTIONS