

Keep with Operator's Manual

GRILLE GUARD KIOTI TRACTORS

MODEL

CK25, CK25HST

CK30, CK30HST

TRACTOR AND GRILLE GUARD GENERAL INFORMATION

Grille guard can be installed on tractor using tools ordinarily available, including standard wrenches and a torque wrench.

Grille guard can be used on tractors with or without front weights.

Grille guard is designed to be compatible with Alamo SMC and Rhino 2407TL loader or Kioti KL130 loader. If loader is to be installed, grille guard may be installed before or after installing loader mid mounting brackets.

Grille guard is compatible with Kioti mid mounted mower. If tractor is equipped with mid mounted mower, grille guard spacer plates (2) are not used, as mower front support brackets replace spacer plates (2). Refer to instructions at right and instructions provided with mower.

Shut off engine and engage brakes during installation.

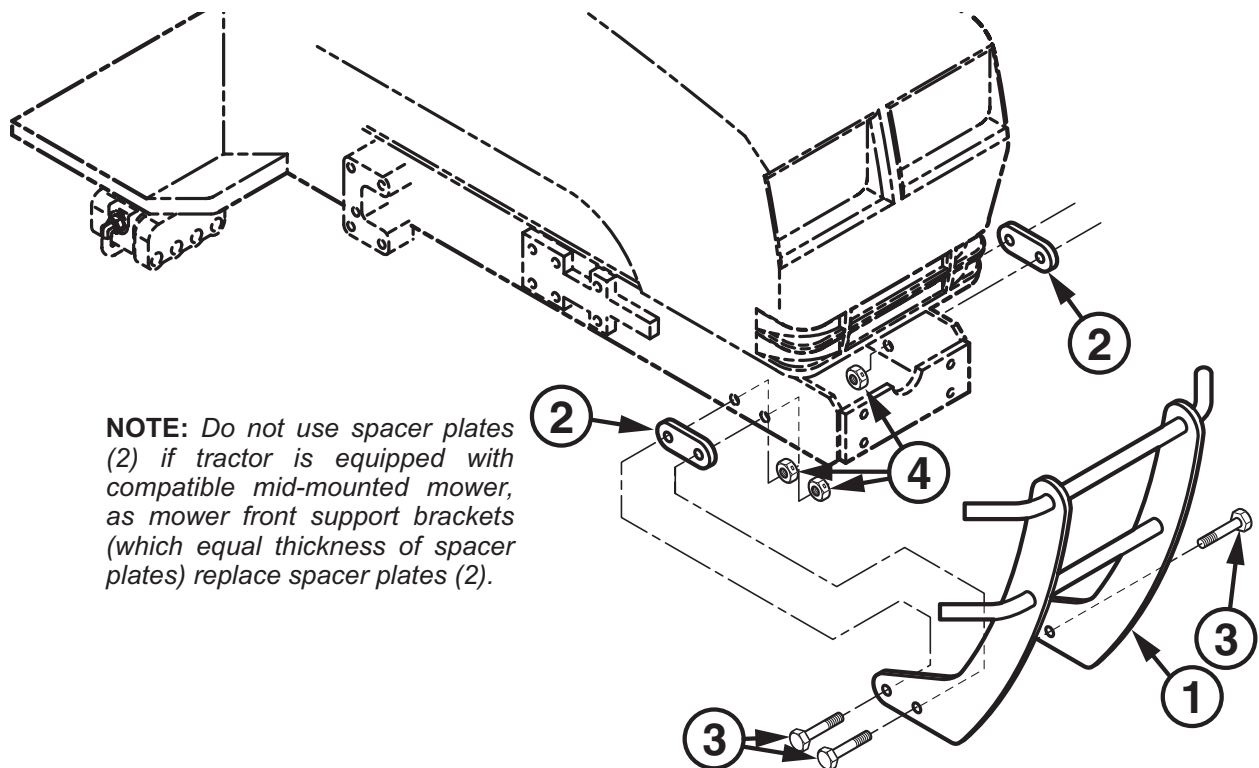
INSTALLING GRILLE GUARD (Figure 1)

NOTE: Install all attaching hardware loosely (unless noted otherwise) until grille guard is completely assembled to facilitate assembly and proper alignment.

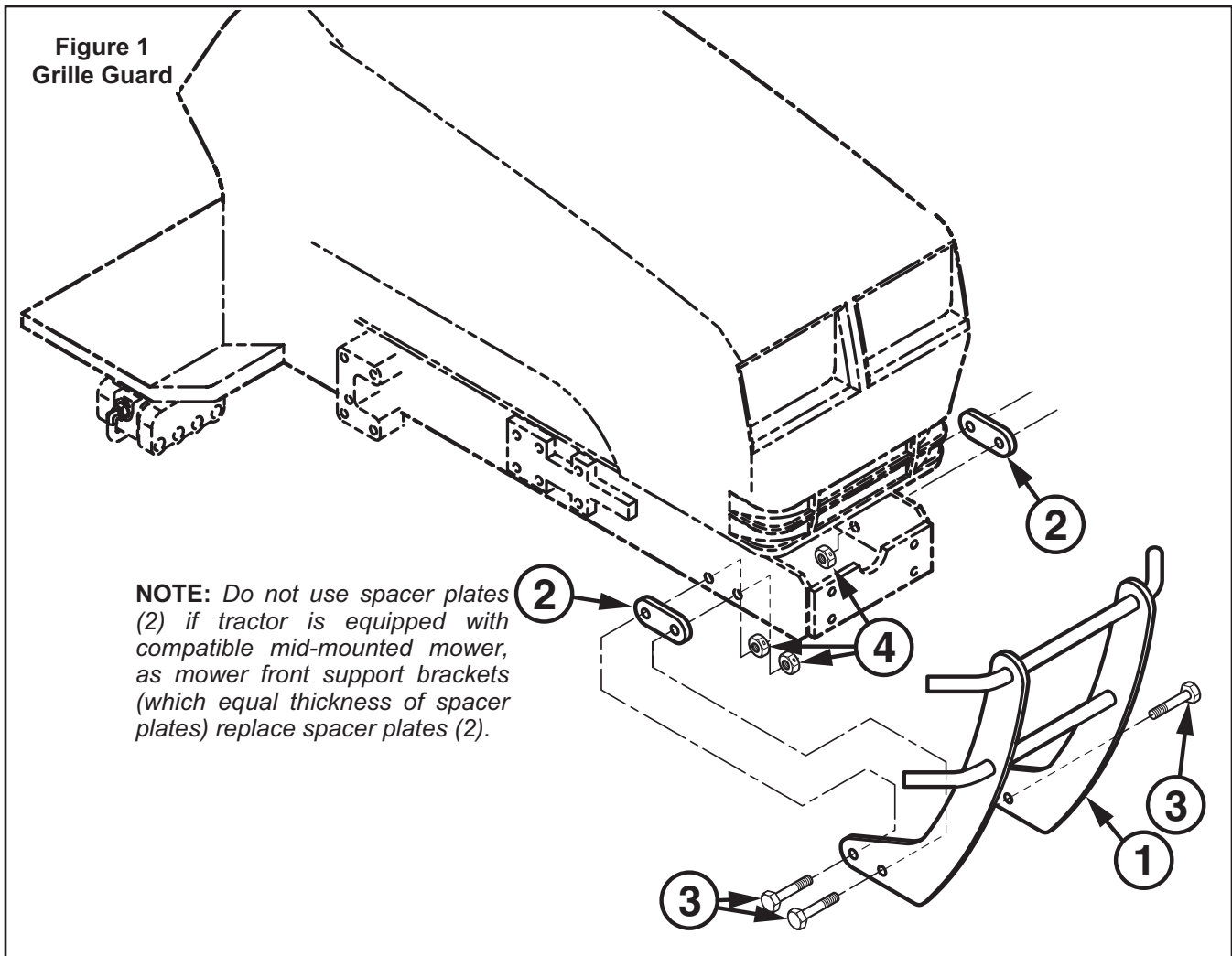
Support grille guard (1) and spacer plates (2) at front of tractor and fasten grille guard (1) and spacer plates (2) to sides of tractor front frame using 5/8 x 2-1/4" cap screws (3) and lock nuts (4).

NOTE: If tractor is equipped with mid mounted mower, lower mower completely and, supporting mower front support brackets, remove hardware which fastens mower front support brackets to tractor frame. Do not use spacer plates (2). Instead, place side attaching plates of grille guard (1) to outside of mower front support brackets (which equal thickness of spacer plates), and fasten grille guard and mower front support brackets to tractor front frame using 5/8 x 2-1/4" cap screws (3) and lock nuts (4).

Tighten all 5/8-11 hardware to 126-139 ft.-lbs. (171-188 N·m) of torque.



NOTE: Do not use spacer plates (2) if tractor is equipped with compatible mid-mounted mower, as mower front support brackets (which equal thickness of spacer plates) replace spacer plates (2).



PARTS LIST – GRILLE GUARD

Item	Part No.	Description	Qty.
1	52695	GRILLE GUARD	1
2	52694	SPACER, Plate, Grille Guard	2
3	41838-14	SCREW, Cap, 5/8-11 x 2-1/4", Grade 5	4
4	41840-7	NUT, Lock, 5/8-11	4

INSTALLATION INSTRUCTIONS