

Keep With Operator's Manual

**HOSE KIT
FOR MID MOUNT VALVE
5211 LOADER
NEW HOLLAND TS SERIES & CIH MXU SERIES TRACTORS**

BRAND	MODEL	2WD	FWD	ROPS	CAB
CNH	TS115A	X	X	X	X
CNH	TS125A	X	X	X	X
CNH	TS130A	X	X	X	X
CNH	TS135A	X	X	X	X
CIH	MXU125	X	X	X	X
CIH	MXU135	X	X	X	X

TRACTOR AND VALVE KIT GENERAL INFORMATION

Valve and plumbing kit can be installed on tractor using tools ordinarily available. Valve control linkage has been factory preassembled for ease of installation.

NOTE: Apply sealant only to all tapered threads unless coupled with swivel adapters. When using teflon tape, wrap tape clockwise (as viewed from end) and wrap tape only twice. Keep sealant away from first two threads of tapered end to prevent contamination of hydraulic fluid. Do not use sealant on O-ring or flare adapter threads.



WARNING: Escaping hydraulic fluid under pressure can penetrate skin, causing serious personal injury.

- Do not use your hands to check for leaks. Use a piece of cardboard or paper. Always wear eye protection when searching for leaks.
- Place control lever in float position and stop tractor engine to relieve hydraulic pressure before connecting or disconnecting lines.
- Tighten all connections before starting engine or pressurizing lines.

If any fluid is injected into skin, obtain medical attention immediately or gangrene may result.

Shut off tractor engine, remove key, engage tractor brakes, and completely lower three-point hitch during installation.

PLUMBING TWO FUNCTION KIT TO MID MOUNT VALVE (Figure 1, 2 & 3)

1. Install mid mount coupling bracket (4) onto right mid mount with four 5/16" x 3/4" cap screws (5) and lock nuts (6). Install snap rings (3) in first groove on hose side of female couplings (2). Insert couplings (2) into mid mount coupling bracket (4) from the bottom side of bracket and attach using snap rings (3). Couplings should occupy first four holes in bracket (4) moving from left to right when facing bracket (See figure 1).

2. Remove rear-most plug on bottom side of valve section nearest tractor. Install 90° elbow (1) into valve section 1 (See figure 2).

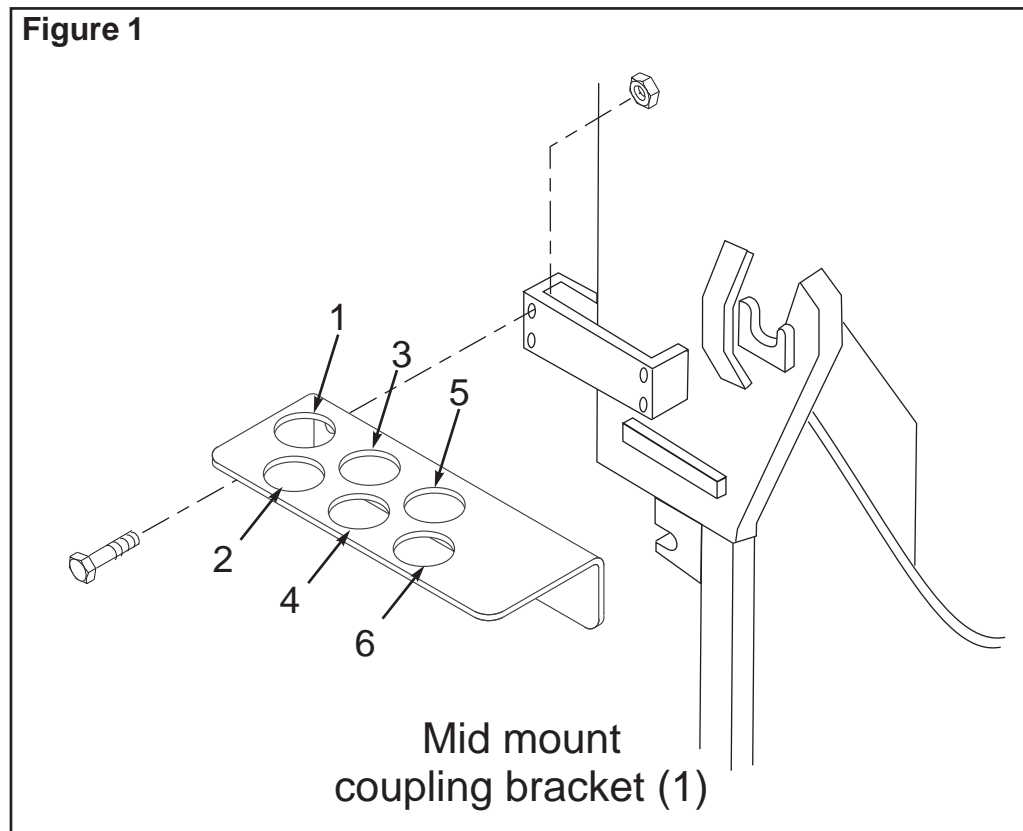
NOTE: Copper washer furnished with 90° fitting (1), must be installed over o-ring to seal properly.

3. Slip yellow plug (14) over hose (20) and attach to coupler in position 1, then tighten. Attach opposite end of hose (20) to fitting at the front of valve section one as illustrated in figure 2.

4. Attach hose (21) and green plug (15) to coupler (2) in position 2 (as illustrated in figures 1 & 2). Tighten hose (21) to coupler (2). Attach other end of hose (21) to 90° elbow (1) installed in step 2 above.

5. Slip blue plug (13) over hose (20) and attach to coupler in position 3, then tighten. Attach opposite end of hose (20) to fitting at the front of valve section two as illustrated in figure 1.

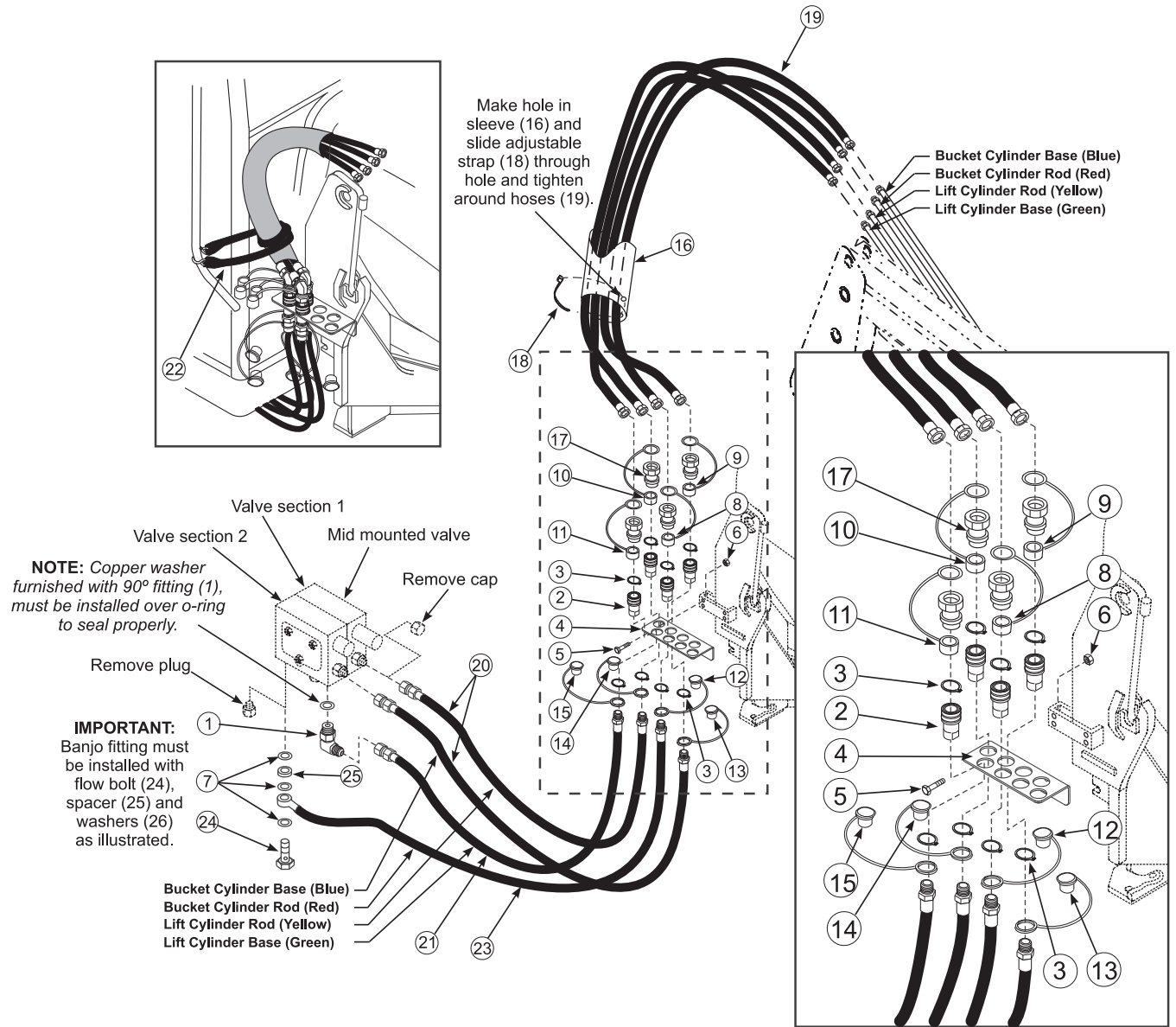
PLUMBING TWO FUNCTION KIT TO MID MOUNT VALVE (Continued on page 4)



PARTS LIST - TWO FUNCTION PLUMBING KIT FOR MID MOUNT VALVE (Figure 2)

ITEM	SMC NO.	DESCRIPTION	QTY.
1	48324	FITTING, Elbow, 90°	1
2	47110-1	COUPLER, Female	4
3	6040-16	RETAINING RING 1-1/2"	8
4	52311	MID MOUNT COUPLING BRACKET	1
5	41838-26	SCREW, Cap, 5/16" x 3/4"	4
6	41840-2	NUT, Lock, 5/16"	4
7	48272-1	DOWTY WASHER	3
8	4838-3	DUST CAP, Red	1
9	4838-8	DUST CAP, Blue	1
10	4838-9	DUST CAP, Yellow	1
11	4838-10	DUST CAP, Green	1
12	4838-4	DUST PLUG, Red	1
13	4838-12	DUST PLUG, Blue	1
14	4838-13	DUST PLUG, Yellow	1
15	4838-14	DUST PLUG, Green	1
16	34853-25	SLEEVE, Nylon, 2.06 x 68"	2
17	6137-10	COUPLER, Male	4
18	8137-1	STRAP, Adjustable, 19" x 11"	4
19	48794-4	HOSE, 1/2" x 60"	4
20	48323-1	HOSE, 1/2" x 31"	2
21	48323-2	HOSE, 1/2" x 35"	1
22	7438-1	TIE STRAP	1
23	48329-2	HOSE, 1/2" x 35"	1
24	48330	FLOW BOLT	1
25	48331-1	SPACER WASHER	1

Figure 2



2-7496

PLUMBING TWO FUNCTION KIT TO MID MOUNT VALVE

(Continued)

6. Slip red plug (12) over hose (23) and attach to coupler in position 4, then tighten. Remove rear-most plug on bottom side of valve section 2 and attach banjo fitting on opposite end of hose (23) using flow bolt (24), spacer washer (25) and three dowty washers (7).

IMPORTANT: *Banjo fitting must be installed as illustrated in figure 2.*

7. Attach hoses (19) to oil lines beginning with bottom oil line and tighten. Mark opposite end of each hose (19) to identify color. Slide hoses through nylon sleeve (16). Loosely attach color coded dust caps (8, 9, 10 & 11) and male couplers (17) as illustrated in figure 2.
8. Insert male couplers (17) into female couplers (2) making sure that colors correspond.

NOTE: *It is important to make sure color coding corresponds between dust caps and plugs on each hose.*

9. Tighten male couplers to hoses (19). Using adjustable plastic straps (18), secure nylon sleeve (16) to hoses (19) by running adjustable straps (18) around sleeve to avoid slippage and interference with moving parts.
10. Attach hoses (19) and nylon sleeves (16) to tractor with tie strap (22).
11. After all plumbing has been completed slowly cycle loader several times to purge air from hydraulic system. Retract cylinders and shut off engine. Replenish tractor hydraulic system.

NOTE: *When cycling loader, operate loader according to operation decal for valve. If direction of control lever is wrong, reverse hose connections and recheck operation.*

GENERAL TORQUE SPECIFICATIONS

USE THE FOLLOWING TORQUES WHEN SPECIAL TORQUES ARE NOT GIVEN

Standard American and Metric Cap Screws

AMERICAN STANDARD CAP SCREWS									METRIC CAP SCREWS								
SAE Grade	5				8				Metric Class	8.8				10.9			
Typ. Head Markings									Typ. Head Markings								
Cap Screw	TORQUE				TORQUE				Cap Screw	TORQUE				TORQUE			
Size	FT·LBS		N·m		FT·LBS		N·m		Size	FT·LBS		N·m		FT·LBS		N·m	
Inches	MIN	MAX	MIN	MAX	MIN	MAX	MIN	MAX	Millimeters	MIN	MAX	MIN	MAX	MIN	MAX	MIN	MAX
1/4 - 20	6.25	7.25	8.5	10	8.25	9.5	11	13	M6 x 1.00	6	8	8	11	9	11	12	15
1/4 - 28	8	9	11	12	10.5	12	14	16	M8 x 1.25	16	20	21.5	27	23	27	31	36.5
5/16 - 18	14	15	19	20	18.5	20	25	27	M10 x 1.50	29	35	39	47	42	52	57	70
5/16 - 24	17.5	19	23	26	23	25	31	34	M12 x 1.75	52	62	70	84	75	91	102	123
3/8 - 16	26	28	35	38	35	37	47.5	50	M14 x 2.00	85	103	115	139	120	146	163	198
3/8 - 24	31	34	42	46	41	45	55.5	61	M16 x 2.50	130	158	176	214	176	216	238	293
7/16 - 14	41	45	55.5	61	55	60	74.5	81	M18 x 2.50	172	210	233	284	240	294	325	398
7/16 - 20	51	55	69	74.5	68	75	92	102	M20 x 2.50	247	301	335	408	343	426	465	577
1/2 - 13	65	72	88	97.5	86	96	116	130	M22 x 2.50	332	404	450	547	472	576	639	780
1/2 - 20	76	84	103	114	102	112	138	152	M24 x 3.00	423	517	573	700	599	732	812	992
9/16 - 12	95	105	129	142	127	140	172	190	M27 x 3.00	637	779	863	1055	898	1098	1217	1488
9/16 - 18	111	123	150	167	148	164	200	222	M30 x 3.00	872	1066	1181	1444	1224	1496	1658	2027
5/8 - 11	126	139	171	188	168	185	228	251	<p>NOTE: These values apply to fasteners as received from supplier, dry or when lubricated with normal engine oil. They do not apply if special graphite or moly sulphide greases or other extreme lubricants are used.</p>								
5/8 - 18	152	168	206	228	203	224	275	304									
3/4 - 10	238	262	322	355	318	350	431	474									
3/4 - 16	274	305	371	409	365	402	495	544									
7/8 - 9	350	386	474	523	466	515	631	698									
7/8 - 14	407	448	551	607	543	597	736	809									
1 - 8	537	592	728	802	716	790	970	1070									
1 - 14	670	740	908	1003	894	987	1211	1337									

37° JIC Fittings

Size	Thread Size	Assembly Torque		Tube Connection F. F. F. T.	Swivel Nut or Hose Connection F. F. F. T.
		in.·lb.	ft.·lb.		
-4	7/16 - 20	140 ± 10	12 ± 1	2	2
-5	1/2 - 20	180 ± 15	15 ± 1	2	2
-6	9/16 - 18	250 ± 15	21 ± 1	1 1/2	1 1/4
-8	3/4 - 16	550 ± 25	45 ± 5	1 1/2	1
-12	1 1/16 - 12	1000 ± 50	85 ± 5	1 1/4	1
-16	1 5/16 - 12	1450 ± 50	120 ± 5	1	1
-20	1 5/8 - 12	2000 ± 100	170 ± 10	1	1
-24	1 7/8 - 12	2400 ± 150	200 ± 15	1	1
-32	2 1/2 - 12	3200 ± 200	270 ± 20	1	1

O-Ring Face Seal Tube/ Hose Swivel Nut

Metric Tube O.D. (mm)	Dash Size	Thread Size (in.)	Swivel Nut Hex Size (in.)	Swivel Nut Torque	
				N·m	lb _r ·ft
5	-3	--	--	--	--
6	-4	9/16 - 18	11/16	16	12
8	-5	--	--	--	--
10	-6	11/16 - 16	13/16	24	18
12	-8	13/16 - 16	15/16	50	37
16	-10	1 - 14	1-1/8	69	51
20	-12	1-3/16 - 12	1-3/8	102	75
22	-14	1-3/16 - 12	--	102	75
25	-16	1-7/16 - 12	1-5/8	142	105
32	-20	1-11/16 - 12	1-7/8	190	140
38	-24	2 - 12	2-1/4	217	160
50.8	-32	--	--	--	--

SAE O-Ring Fittings

Size	Swivel Nut or Hose	Assembly Torque		F. F. F. T.
		in.·lb.	ft.·lb.	
2	5/16 - 24	90 ± 5	7.5 ± 0.5	1 ± .25
3	3/8 - 24	170 ± 10	14 ± 1	1 ± .25
4	7/16 - 20	220 ± 15	18 ± 1	1 ± .25
5	1/2 - 20	260 ± 15	22 ± 1	1 ± .25
6	9/16 - 18	320 ± 20	27 ± 2	1.5 ± .25
8	3/4 - 16	570 ± 25	48 ± 2	1.5 ± .25
10	7/8 - 14	1060 ± 50	90 ± 5	1.5 ± .25
12	1 1/16 - 12	1300 ± 50	110 ± 5	1.5 ± .25
14	1 3/16 - 12	1750 ± 75	145 ± 6	1.5 ± .25
16	1 5/16 - 12	1920 ± 125	160 ± 6	1.5 ± .25
20	1 5/8 - 12	2700 ± 150	225 ± 12	1.5 ± .25
24	1 7/8 - 12	3000 ± 150	250 ± 12	1.5 ± .25
32	2 1/2 - 12	3900 ± 200	325 ± 15	1.5 ± .25

INSTALLATION INSTRUCTIONS