

Keep With Operator's Manual

GRILLE GUARD INSTALLATION KUBOTA L4400

Tractor and Grille Guard General Information

Grille guard can be installed on tractor using tools ordinarily available, including standard and metric wrenches and a torque wrench.

Grill guard is not compatible with front weights. Remove front weights and weight bracket and attaching hardware, if tractor is so equipped. Refer to tractor operator's manual for safe removal.

Reference to left and right in these instructions refer to position when seated in operating position on tractor.

Shut off engine, remove key, and engage parking brakes during installation.

Installing Grille Guard (Figure 1)

Note: *Install all attaching hardware loosely (unless noted otherwise) until grille guard is completely assembled to facilitate assembly and proper alignment.*

1. Support grille guard (1) at front of tractor and install HHCS M14 x 50mm (4) with 9/16" lock washers (5) into front holes of grill guard. The bolt should next go thru the spacer plate (2) which mates onto the tractor front bumper. Use the upper holes on tractor bumper and make sure slot in spacer plate (2) is upward. Thread the HHCS's in loosely.
2. Install a spacer bushing (3) on right side frame. Install HHCS M14 x 75mm (6) thru grille guard side plate, 9/16" flat washer (7), spacer bushing (3), and tractor side rail. Retain with M14 hex lock nut (8). Repeat for opposite side.
3. Tighten front bolts followed by tightening side rail bolts. Torque front bolts to 85 ft lbs (115 N M) and side frame bolts to 85 ft lbs (115 N M).

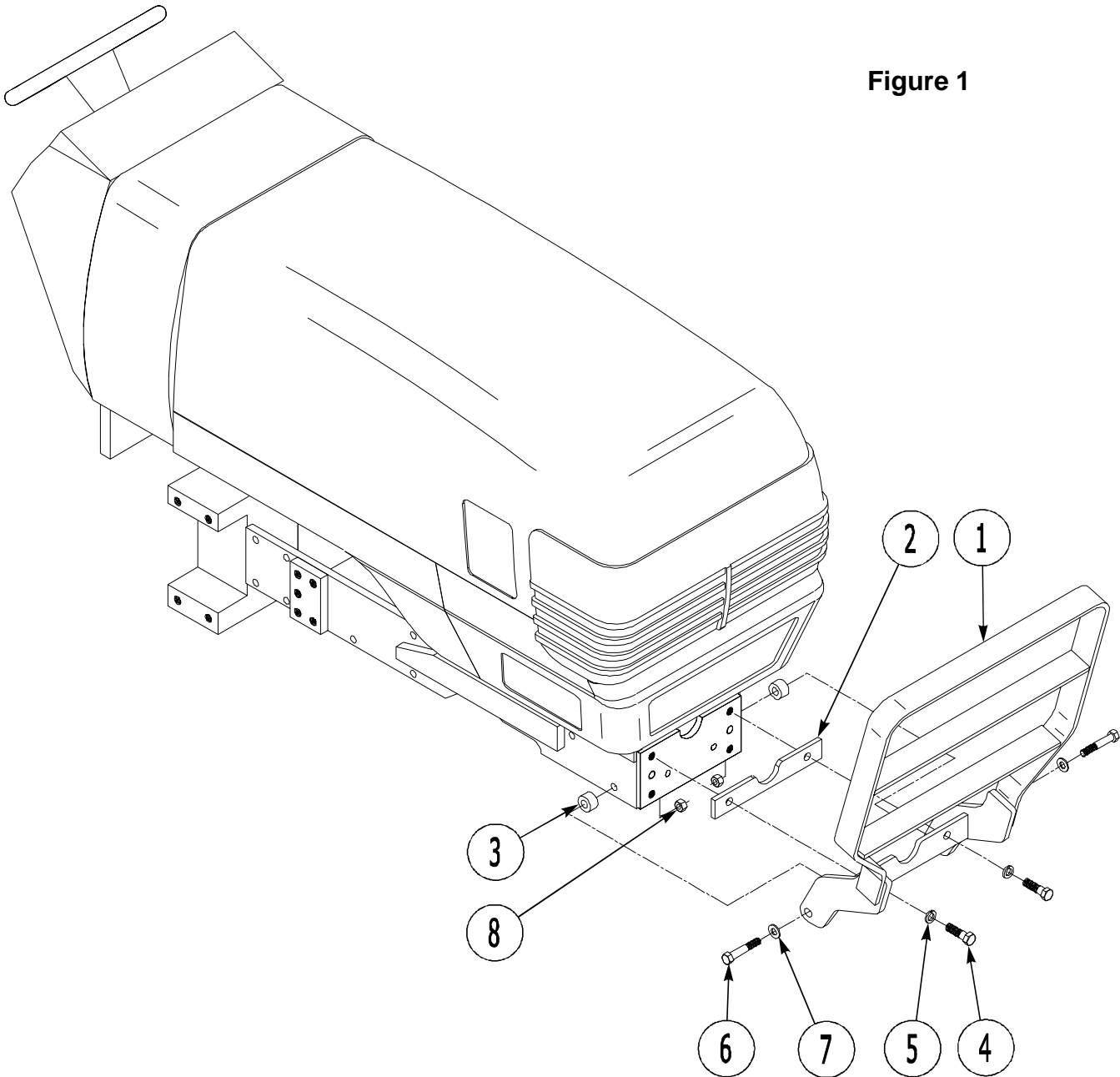
Opening Tractor Hood

Perform a hood clearance check by raising hood slowly. Return to operating position and latch it.

PARTS LIST - GRILLE GUARD KIT

Item	Part No.	Description	Qty.
1	53109	GRILLE GUARD ASSEMBLY	1
2	50928	SPACER PLATE, 3/8	1
3	43395-7	SPACER TUBE, 3/4	2
4	42672-58	MET HHCS 14MM - 1.5MM x 50MM	2
5	41837-6	WASHER, LOCK 9/16	2
6	42672-87	MET HHCS 14MM - 1.5MM x 75MM	2
7	42502-11	WASHER, FLATE 9/16	2
8	42710-4	LOCK NUT, METRIC 14MM - 2MM	2

Figure 1



INSTALLATION INSTUCTIONS