

Keep with Operator's Manual

GRILLE GUARD KIOTI TRACTORS

Model	FWA	ROPS	CAB
DK45S	X	X	X

TRACTOR AND GRILLE GUARD GENERAL INFORMATION

Grille guard can be installed on tractor using tools ordinarily available, including standard and metric wrenches and a torque wrench.

Grille guard is not compatible with front weights or weight bracket. If tractor is equipped with front weights or bracket, remove them before installing grille guard.

Grille guard is designed to be compatible with Alamo SMC or Rhino 2491 loader. If loader is to be installed, install grille guard mounting bracket (2) while installing loader front mounting bracket. Refer to instructions that follow and instructions provided with loader mounting kit.

References to left and right used in these instructions refer to position when seated in operating position on tractor. Shut off engine and engage brakes during installation.

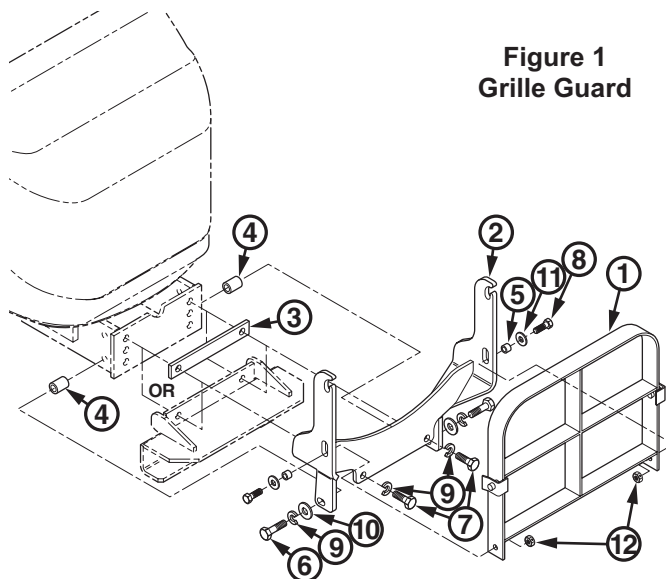


Figure 1
Grille Guard

NOTE: If tractor is equipped with a loader, do not use spacer plate (3), as loader front mounting bracket takes the place of spacer plate (3). Do not use 16mm cap screws provided with loader mounting kit in two top holes of loader front mounting bracket. Instead, use 16mm x 45mm cap screws (7) and 5/8" lock washers (9) to fasten loader front mounting bracket and grille guard mounting bracket (2) to front of tractor frame.

INSTALLING GRILLE GUARD (Figure 1)

NOTE: Install all attaching hardware loosely (unless noted otherwise) until grille guard is completely assembled to facilitate assembly and proper alignment.

1. Fasten grille guard mounting bracket (2) to front of tractor frame:

If tractor is not equipped with front loader, place spacer plate (3) between tractor front frame and grille mounting bracket (2). Fasten mounting bracket (2) and spacer plate (3) to front of tractor frame using 16mm x 45mm cap screws (7) and 5/8" lock washers (9).

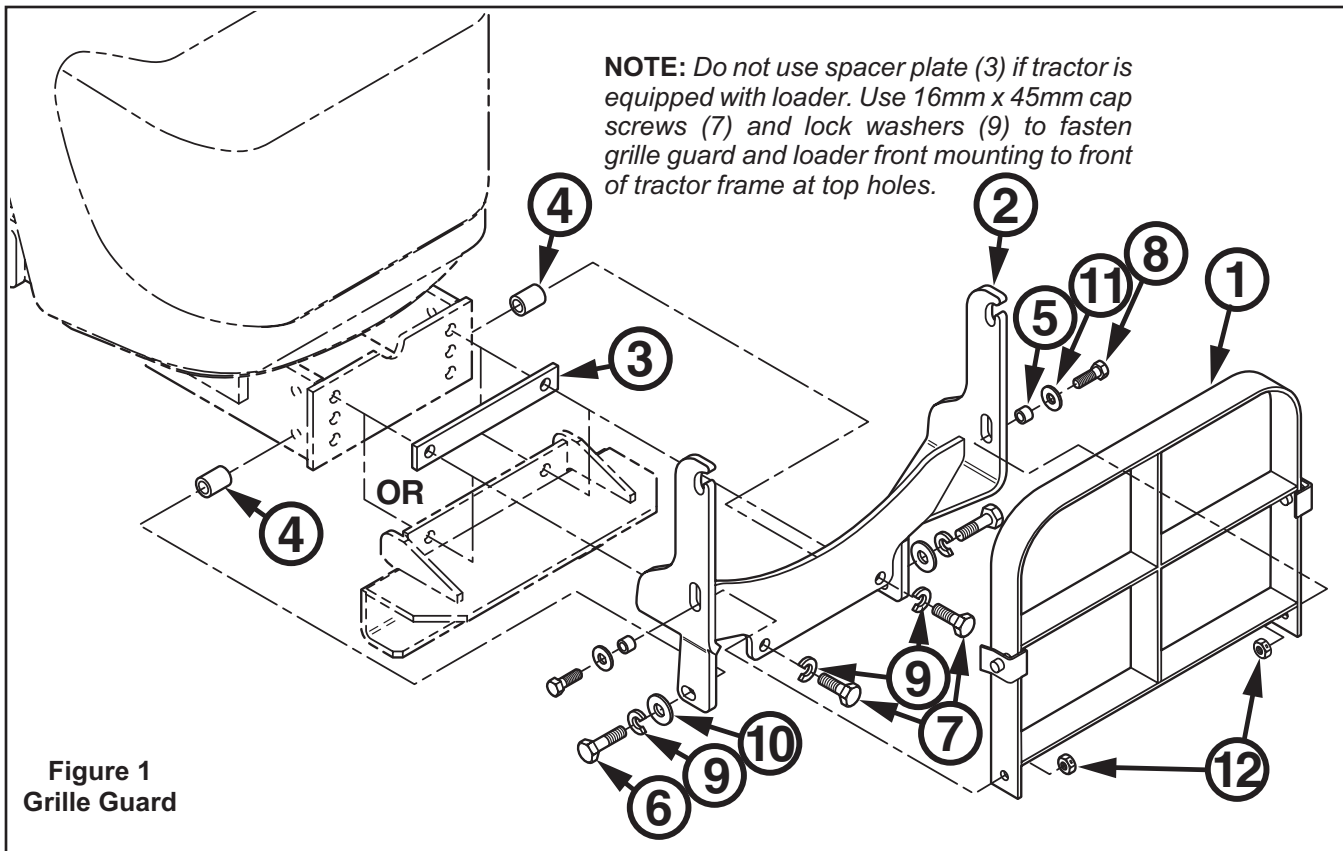
If tractor is to be equipped with loader, do not use spacer plate (3), as loader front mounting bracket takes the place of spacer plate (3). Do not use 16mm cap screws provided with loader front mounting bracket in upper two holes. Place grille guard mounting bracket (2) over loader front mounting bracket and fasten to front of tractor frame using 16mm x 45mm cap screws (7) and 5/8" lock washers (9).

2. Place a 1-1/8" O.D. x 1-1/2" long spacer tube (4) between each side plate of grille guard mounting bracket (2) and side of tractor frame. Fasten side plates of mounting bracket (2) and spacer tubes (4) to tractor frame using 16mm x 75mm cap screws (6), 5/8" lock washers (9) and 5/8" flat washers (10).
3. Attach grille guard (1) to mounting bracket (2) using 1/2 x 1-1/2" cap screws (8), spacer tubes (5), flat washers (11) and 1/2" lock nuts (12).
4. To place grille guard (1) in upright position, rotate grille guard (1) upward and lift to side pins slip into upper slots of mounting bracket (2) and slide down.

Tighten 16mm-1.50 Class 8.8 hardware to 247-301 ft.-lbs. (335-408 N-m) of torque. Tighten 5/8-11 Grade 5 hardware to 126-139 ft.-lbs. (171-188 N-m) of torque.

OPENING HOOD

To allow tractor hood to be opened, first lift grille guard to top of slots, then tilt top of grille guard forward and down, away from tractor hood.



PARTS LIST – GRILLE GUARD

Item	Part No.	Description	Qty.
1	52769	GRILLE GUARD	1
2	53155	BRACKET, Mounting, Grille Guard	1
3	53158	SPACER, Plate, Grille Guard Mounting	1
4	43811-10	SPACER, Tube, 1-1/8" O.D. x 11/16" I.D. x 1-1/2" Lg.	2
5	47427-1	SPACER, Tube, Bushing, 3/4" O.D. x 1/2" I.D. x 1-1/2" Lg.	2
6	42672-27	SCREW, Cap, 16mm-1.50 x 75mm, Class 8.8	2
7	42672-66	SCREW, Cap, 16mm-1.50 x 45mm, Class 8.8	2
8	41838-33	SCREW, Cap, 1/2-13 x 1-1/2", Grade 5	2
9	41837-7	WASHER, Lock, 5/8"	2
10	42502-32	WASHER, Flat, 5/8" W-STD	2
11	42052-30	WASHER, Flat, 1/2" W-STD	2
12	41840-5	NUT, Lock, 1/2-13	2

INSTALLATION INSTRUCTIONS