

Keep with Operator's Manual

## GRILLE GUARD MAHINDRA TRACTORS

MODEL	HST	SYNCHRO SHUTTLE
2310	X	X
2810	X	X
3510	X	

### TRACTOR AND GRILLE GUARD GENERAL INFORMATION

Grille guard can be installed on tractor using tools ordinarily available, including standard and metric wrenches and a torque wrench.

Grille guard is designed to be compatible with an Alamo SMC or Rhino 2408TL front loader or may be installed on tractor without a loader.

Grille guard is compatible with tractor front weights and can be used on tractor with or without front weights.

Reference to left and right used in these instructions refer to position when seated in operating position on tractor. Shut off engine and engage brakes during installation.

### INSTALLING GRILLE GUARD

**NOTE:** Leave all attaching hardware loose until grille guard is completely assembled to facilitate assembly and proper alignment. When grille guard is completely assembled, tighten all hardware to torques specified.

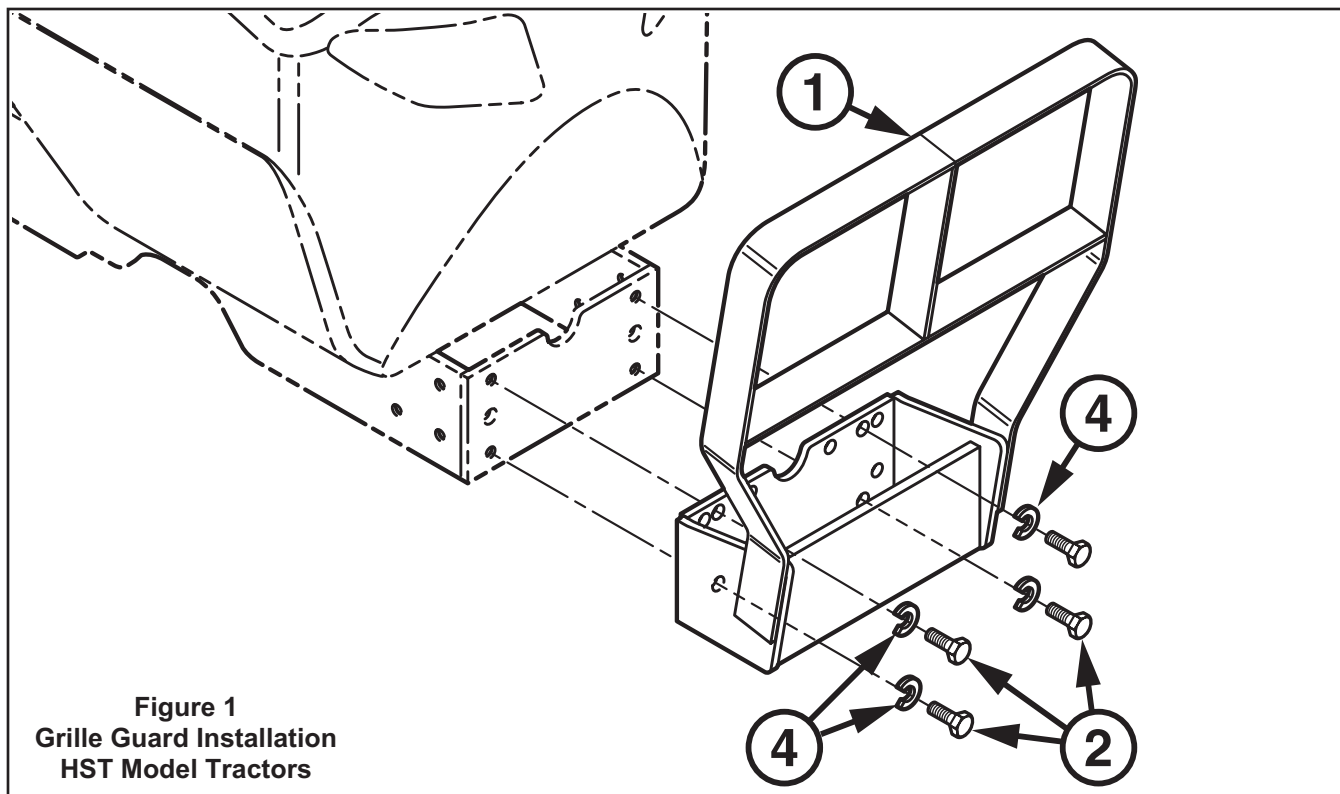
#### HST Model Tractors (Figure 1)

Support grille guard (1) at front of tractor and fasten to tractor front frame using 14mm x 30mm cap screws (2) and 9/16" lock washers (4).

#### Synchro-Shuttle Model Tractors (Figure 2)

Support grille guard (1) at front of tractor and fasten to tractor front frame using 1/2 x 1-1/4" cap screws (3) and lock nuts (5).

Torque 1/2-13 Grade 5 hardware to 65-72ft.·lbs. (88-97.5Nm); torque 14mm-2.00 Class 8.8 hardware to 85-103ft.·lbs. (115-140Nm).



**Figure 1**  
Grille Guard Installation  
HST Model Tractors

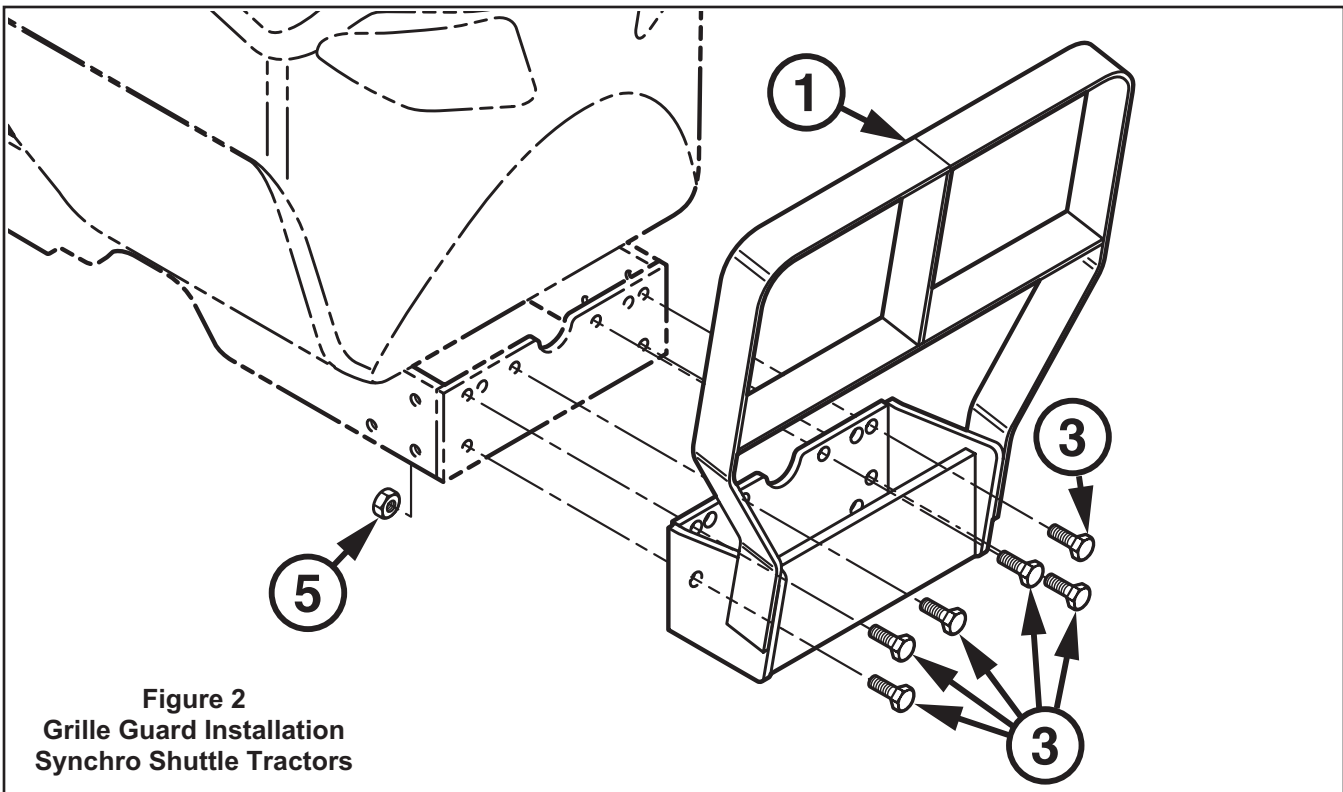


Figure 2  
Grille Guard Installation  
Synchro Shuttle Tractors

#### PARTS LIST – GRILLE GUARD

Item	Part No.	Description	Qty.
*1	53230	GRILLE GUARD*	1
2	42672-96	SCREW, Cap, 14mm-2.00 x 30mm, Class 8.8	4
3	41838-2	SCREW, Cap, 1/2-13 x 1-1/4, Grade 5	6
4	41837-6	WASHER, Lock, 9/6	4
5	41840-5	NUT, Lock, 1/2-13	6
*	Not available as separate repair item—order entire kit.		

# INSTALLATION INSTRUCTIONS