

Keep With Operator's Manual

**65A, 75, 85 & 95 BACKHOE HOSE KIT  
MAHINDRA HST TRACTORS  
WITH COMPATIBLE LOADER VALVE & PLUMBING KIT**

MODEL	ROPS	LOADER WITH VALVE AND PLUMBING KIT
2310 HST	X	Alamo SMC or Rhino Loader with 2408 TL
2810HST	X	
3510 HST	X	

**TRACTOR AND MOUNTING KIT GENERAL INFORMATION**

Hose kit can be installed on tractor using tools ordinarily available. Shut off engine and engage brakes during installation.

**NOTE:** Tractor must be equipped with an Alamo SMC or Rhino loader with compatible valve and plumbing kit to install this hose kit. Compatible valve and plumbing kits are available with either a parallel or series loader control valve. Install loader mounting brackets and loader control valve and plumbing kit before installing backhoe hose kit.



**WARNING:** Escaping hydraulic fluid under pressure can penetrate skin causing serious injury.

- DO NOT use your hands to check for leaks. Use a piece of cardboard or paper to search for leaks.
- Stop engine and relieve pressure before connecting or disconnecting lines.
- Tighten all connections before starting engine or pressurizing lines.

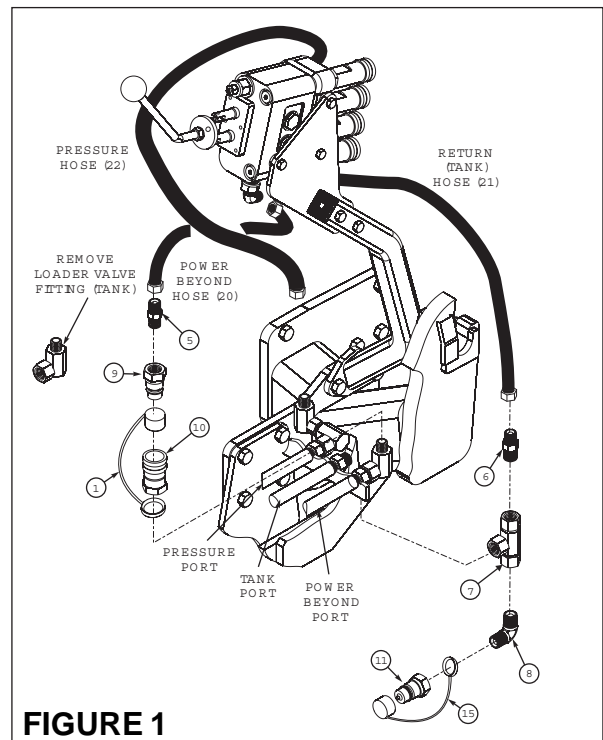
If any fluid is injected into skin obtain medical attention immediately or gangrene may result.

**INSTALLING HYDRAULIC HOSE AND FITTINGS TO TRACTOR PORTS (Figures 1 & 2)**

1. Disconnect end of valve tank hose and remove 90° fitting. Install tee fitting (7) with ports aligned to a vertical position.

2. In upper port of the fitting (7) install straight reducer fitting (6). In the lower port install 90° 1/2" NPT fitting (8). Install 1/2" dust cap (15) and 1/2" male quick coupler (11).
3. Disconnect end of valve power beyond hose from tractor.
4. Install straight adapter fitting (5) and 3/8" male coupler (9) to end of valve power beyond hose.
5. Install 3/8" plug (13) and 3/8" female coupler (10) to 90° power beyond fitting on tractor.

When backhoe hydraulic hoses (1 & 2) are connected, and backhoe is fully operational, place 3/8" plug (13) into power beyond quick coupler (10) to keep debris out.



**FIGURE 1**

## INSTALLING HYDRAULIC HOSES TO BACKHOE (Figures 2 & 3)

1. Temporarily remove backhoe cover plate and connect 1/2" x 120" hose (1) to 90° elbow fitting in tank port of backhoe control valve, slip 120" sleeve (3) over hose (1). Install 1/2" female quick coupler (12) and dust plug (14) onto free end of tank hose (1). Connect 3/8" x 114" hose (2) onto 90° elbow fitting in pressure port of backhoe control valve, slip 114" sleeve (4) over hose (2). Install 3/8" female coupler (10) and dust plug (13) onto end of pressure hose (2). Reinstall backhoe cover plate.
2. Route pressure (2) and tank (1) hoses down under backhoe footrest platform and along inside of subframe channel toward front of subframe. Secure to inside of subframe channel using tie straps (17).

## MOUNTING BACKHOE TO TRACTOR

1. Adjust 3-point lift arms to level position. Back tractor slowly toward backhoe, parallel to subframe assembly, until hoses can be connected to tractor.

**IMPORTANT:** Shut off tractor.



**WARNING:** To prevent possible damage to hoses and backhoe valve, always shut off tractor engine when coupling or uncoupling hoses from backhoe. Make sure connections are complete at couplers.

2. Connect 1/2" x 120" tank hose (1) to 1/2" male quick coupler (11) on tractor tank port. Connect valve power beyond hose with 3/8 male coupler (9) to 3/8" x 114" pressure hose (2).

**NOTE:** When disconnecting backhoe hoses (1 & 2), plug power beyond hose into power beyond female coupler (10). Place protective cap (15) over 1/2" male quick coupler (11) to keep debris out.

3. Start tractor. Using backhoe controls, extend bucket and lower stabilizers to provide a base for raising subframe. Using stabilizers, raise subframe to proper height to connect to tractor. Position 3-point lift arms inside backhoe subframe support braces.
4. Slowly back tractor until subframe is engaged in mounting bracket and mounting ears.

**NOTE:** Check to be sure hoses are not pinched between tractor and subframe.

Connect subframe to mounting ears using pins provided in subframe kit.

5. Secure hoses (1&2) to subframe using tarp strap (16). Make sure hoses are secure and will not rub on ground or tires.
6. After backhoe has been mounted to tractor, check all hydraulic connections. Slowly cycle backhoe cylinders several times to purge air from hydraulic system. Retract cylinders and shut off engine. Replenish tractor hydraulic system to bring level of hydraulic fluid up to full.

## PARTS LIST - REPAIR PARTS

Item	Part No.	Description	Qty.
1	44980-3	1/2" x 120" TANK HOSE	1
2	32697-4	3/8" X 114" PRESSURE HOSE	1
3	34853-86	1 1/4" X 120" NYLON SLEEVE	1
4	34853-86	1 1/4" X 114" NYLON SLEEVE	1
5	44982-1	STR. FITTING 3/8" - 18 NPT X 3/8" - 18" NPT	1
6	44982-2	STR. FITTING 3/8" - 18 NPT X 1/2" - 14" NPT	1
7		TEE FITTING 1/2" - 14 NPSM	1
8	34644-1	90° FITTING 1/2" - 14 NPT	1
9	3137-4	QUICK COUPLER, MALE 3/8" 1/2" - 18" NPT	2
10	6147-4	QUICK COUPLER, FEMALE 3/8" 1/2" - 18" NPT	2
11	6137-6	QUICK COUPLER, MALE 1/2" 1/2" - 14" NPT	1
12	6147-8	QUICK COUPLER, FEMALE 1/2" 1/2" - 14" NPT	1
13	4838-6	DUSTPLUG, 3/8"	2
14	4838-4	DUSTPLUG, 1/2"	1
15	4838-3	DUSTCAP, 1/2"	1
16	7438-1	STRAP, Tarp	1
17	8137-6	STRAP, Adjustable Tie, 5/16" x 11"	3

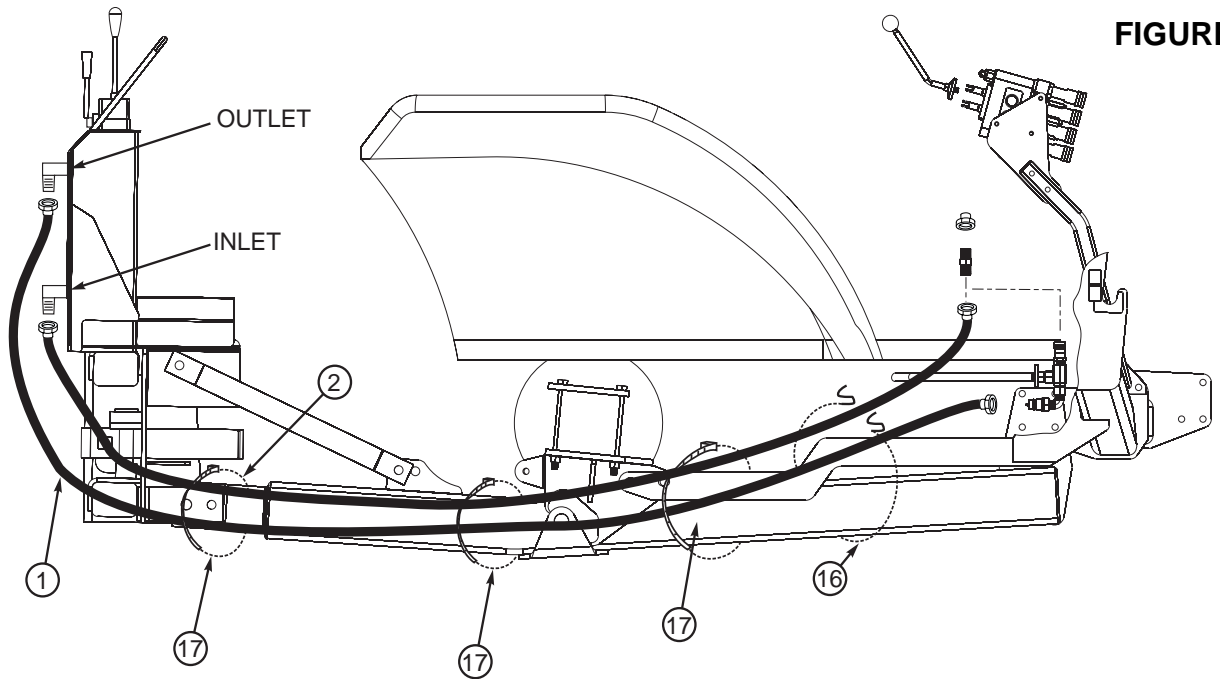


FIGURE 2

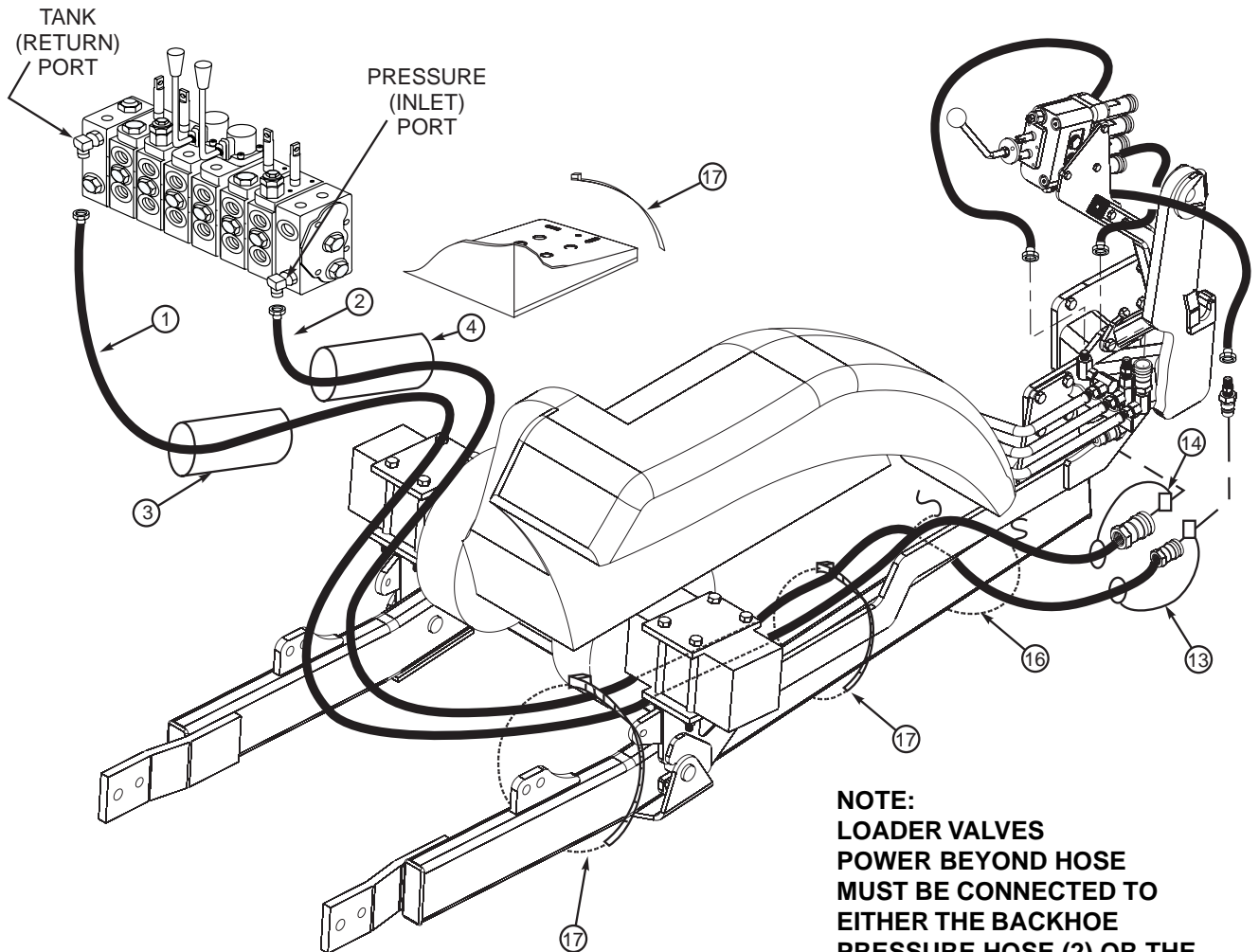
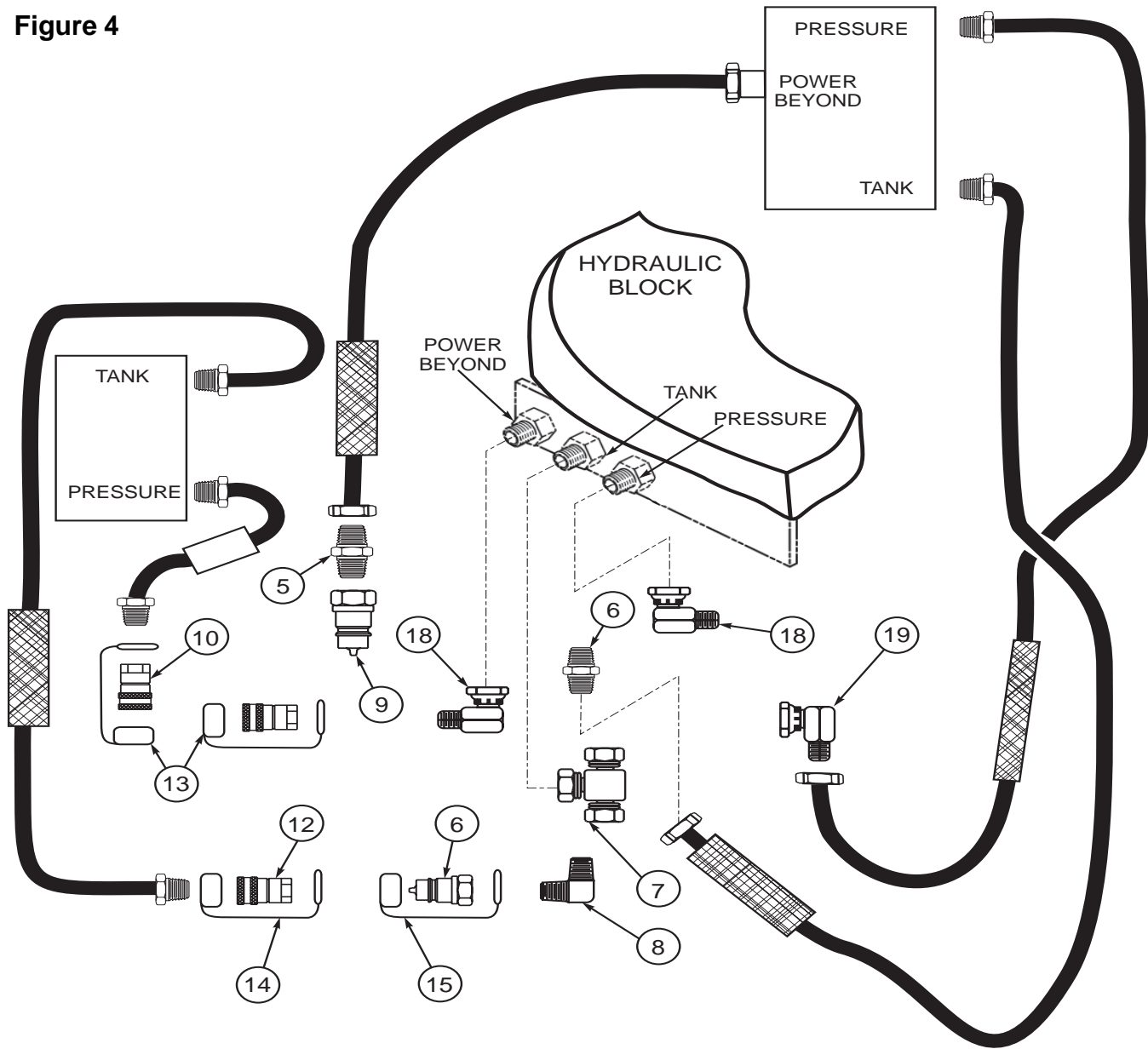


FIGURE 3

**NOTE:**  
LOADER VALVES  
POWER BEYOND HOSE  
MUST BE CONNECTED TO  
EITHER THE BACKHOE  
PRESSURE HOSE (2) OR THE  
3/8" FEMALE POWER BEYOND  
QUICK COUPLER (10).

Figure 4



# INSTALLATION INSTURCTIONS