

Keep With Operator's Manual

GRILLE GUARD FOR CASE IH AND CASE NEW HOLLAND TRACTORS

MODEL

TD5050 & JX95

TRACTOR AND GRILLE GUARD GENERAL INFORMATION

Grille guard can be installed on tractor using tools ordinarily available, including standard and metric wrenches and a torque wrench.

Grille guard is not compatible with tractor front weights. If tractor is equipped with front weights, remove them before installing grille guard. It is not necessary to remove weight bracket.

Grille guard is designed to be compatible with Alamo SMC or Rhino 4211 loader. If loader is to be installed, install grille guard while installing loader mounting brackets.

Reference to left and right used in these instructions refer to position when seated in operating position on tractor.

Shut off engine and engage brakes during installation.

INSTALLING GRILLE GUARD (Figure 1)

NOTE: Leave all attaching hardware loose until grille guard is completely assembled to facilitate assembly and proper alignment. When grille guard is completely assembled, tighten all hardware to torques specified.

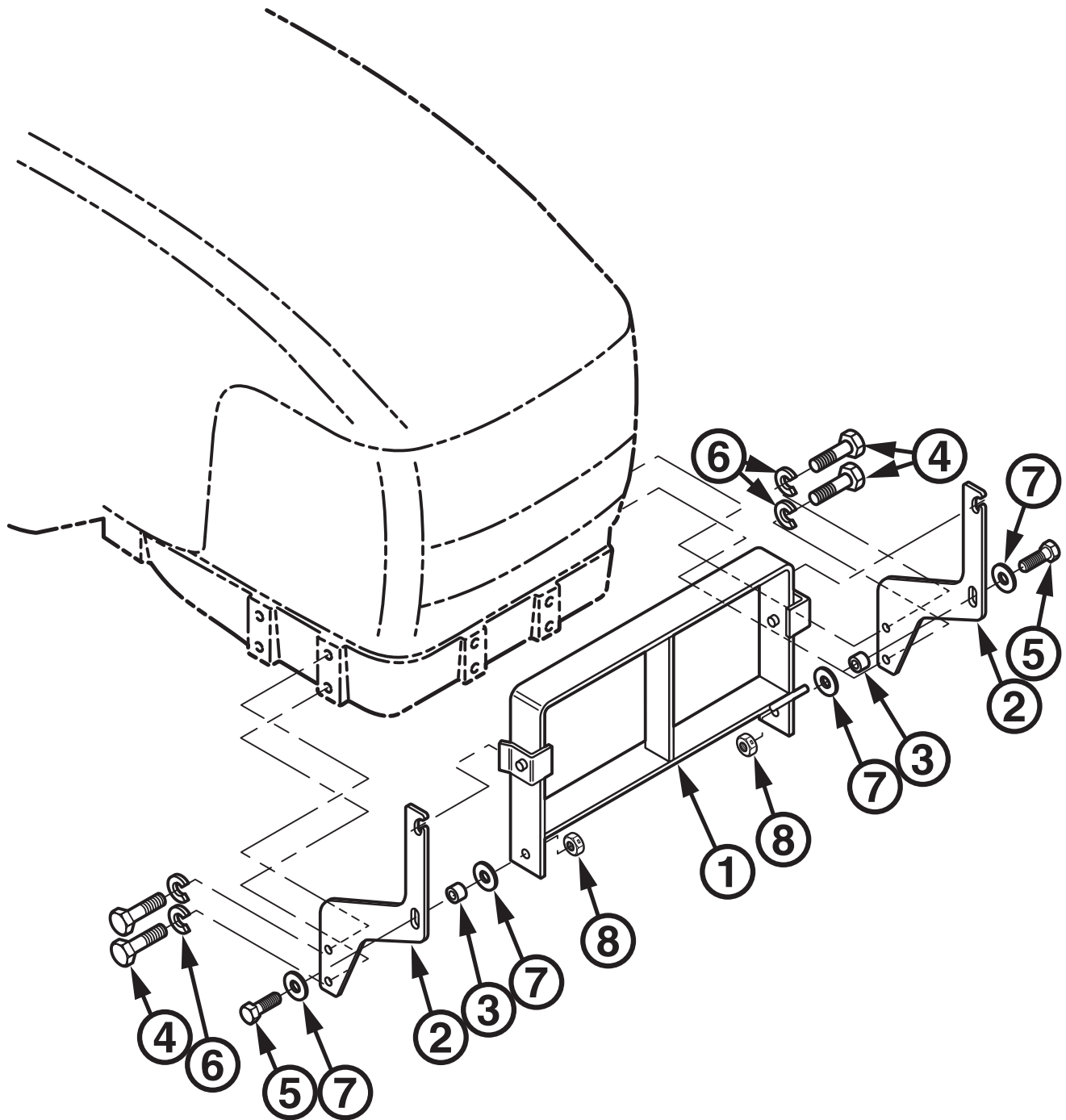
1. Fasten grille guard supports (2) to sides of tractor front casting using 16mm x 45mm cap screws (4) and 5/8" lock washers (6).

NOTE: When mounting grille guard with 4211 loader, do not use inside front spacers for loader mid mounting brackets. (They are replaced by grille guard supports [2].) Do not use 16mm x 45mm cap screws (4) and 5/8" lock washers (6) provided with this kit. Instead, use hardware provided with loader mounting kit.

2. Attach grille guard (1) to grille guard supports (2) using 1/2 x 1-1/2" cap screws (5), flat washers (7), spacer tubes (3) and lock nuts (8).
3. Tighten 16mm-1.50 hardware to 140ft.·lbs (190Nm) of torque and tighten 1/2-13 hardware to 70ft.·lbs. (94Nm) of torque.

OPENING TRACTOR HOOD

To allow tractor hood to be opened, lift grille guard to top of slots and tilt guard forward, away from tractor hood.



PARTS LIST - GRILLE GUARD

Item	Part No.	Description	Qty.
1	51474	GRILLE GUARD	1
2	55177	BRACKET, Grille Guard Support	2
3	47427-1	SPACER, Tube	2
4	42672-66	SCREW, Cap, 16mm-1.50 x 45mm	4
5	41838-33	SCREW, Cap, 1/2-13 x 1-1/2	2
6	41837-7	WASHER, Lock, 5/8"	4
7	42502-30	WASHER, Flat, 1/2"	4
8	41840-5	NUT, Lock, 1/2-13	2

INSTALLATION INSTRUCTIONS